










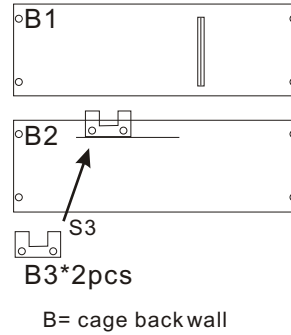
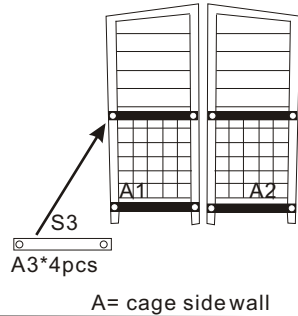


# Assembly Instruction

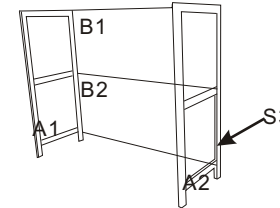
PawHut

Item No.: D51-009

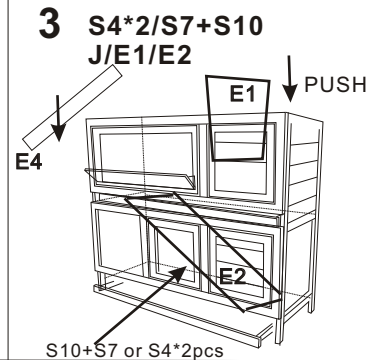
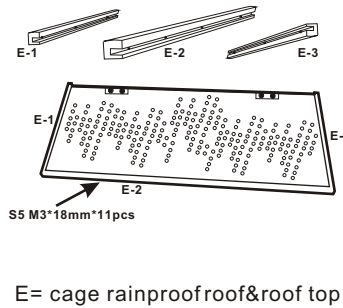
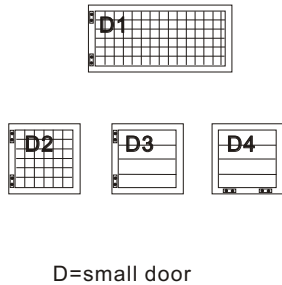
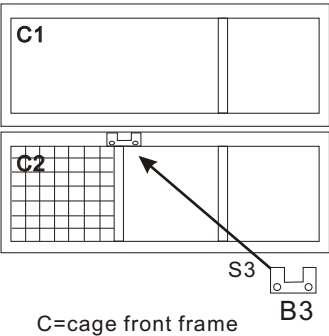
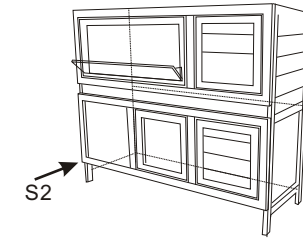
- S1  M3.5\*40mm 2pcs
- S2  M3.5\*30 mm 12pcs
- S3  M3.5\*25mm 20pcs
- S4  M3.5\*20mm 2pcs
- S5  M3.0\*18mm 11pcs
- S6  M3\*10mm 6pcs
- S7  M2.5\*10mm 48pcs
- S8  4pcs
- S9  4pcs
- S10  2pcs
- S11  M3.0\*14mm 9pcs



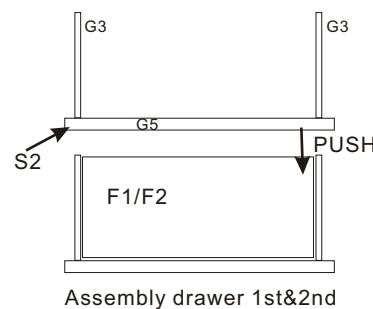
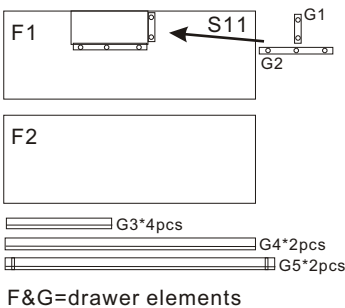
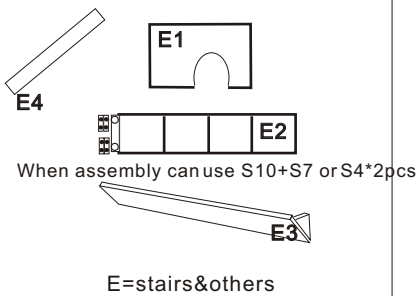
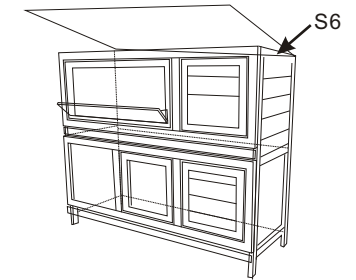
**1** S3\*8pcs  
A1/A2/B1/B2\*1pc



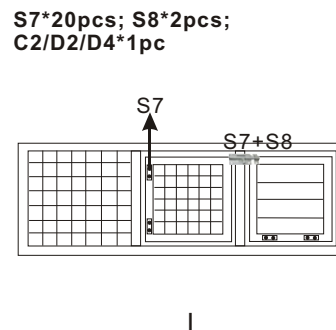
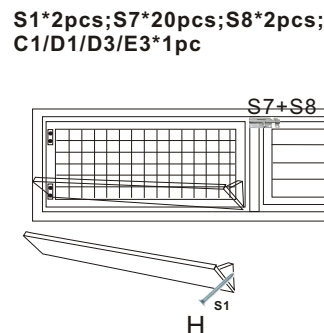
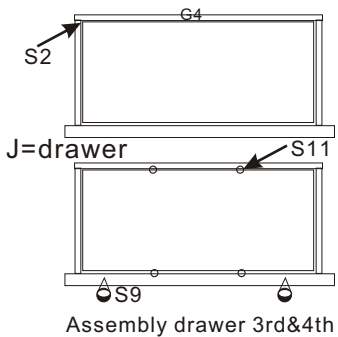
**2** S2\*8pcs  
H/I\*1pc



**4** S6\*6pcs  
E\*1pc



**SOFTLY REMIND**  
Make sure screws are accurately inserted. Avoid the points of nails sticking into the living space of your pet; they could cause injury.



**SOFTLY REMIND**  
Fir & plywoode sections may twist when unassembled, if you happen to meet this problem do two steps as follow:  
1. find out which surface is curved.  
2. put the curved face down-ward the floor for a short time under the sunshine (if no sunshine, thime should meed little more).  
3. then you can find the fir & plywoode revert to level.

thank you