



33" Glass Top Mobile Home Office
Computer Cart Desk

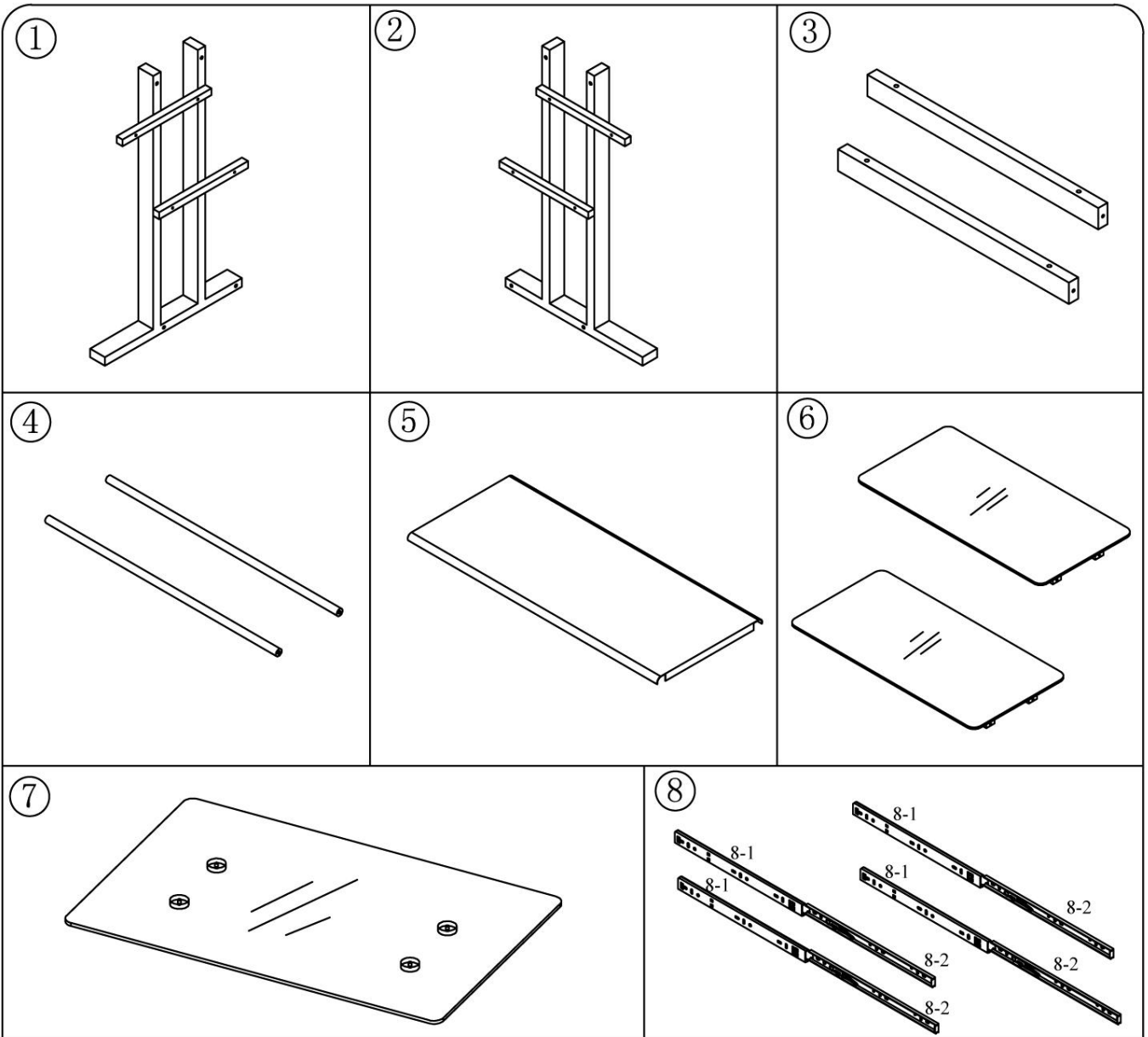
Model # 920-015










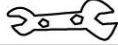
Manufacturer and seller expressly disclaim any and all liability for personal injury, property damage or loss, whether direct, indirect, or incidental, resulting from the incorrect attachment, improper use, inadequate maintenance, or neglect of this product.

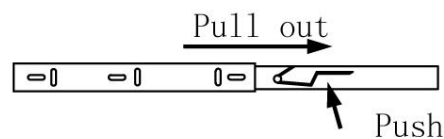
ASSEMBLY INSTRUCTIONS

Parts List



PART	ITEM	QTY.	
A	M6X70	8	
B	M6X55	4	
C	2.0"	4	
D	M4X25	8	
E	M4X6	8	
F	M4	8	

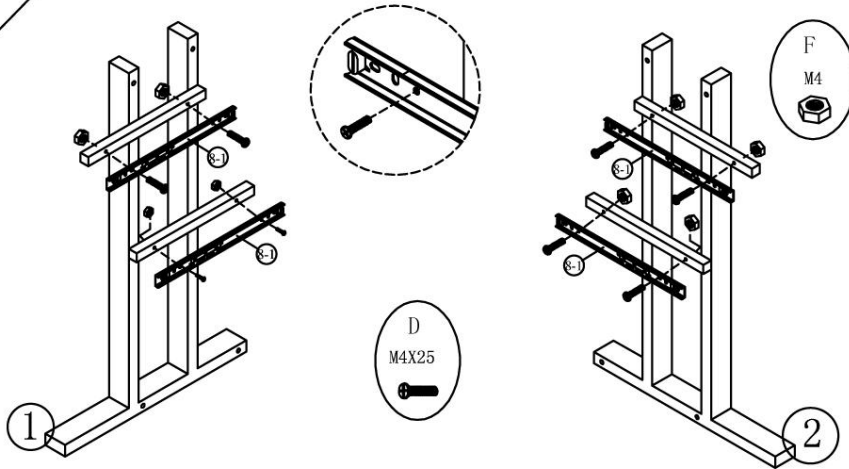
PART	ITEM	QTY.	
G		1	
H		1	



Disconnect the keyboard rail with the BLACK PLASTIC PART. It needs to be pulled down to disconnect the runners.

Assembly Instructions

1

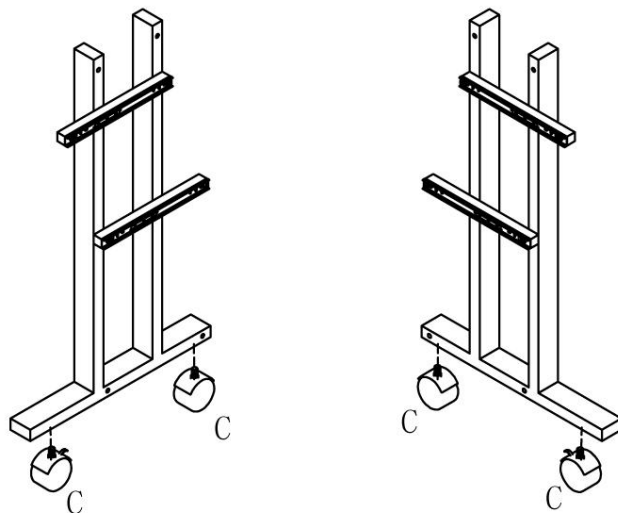


. SCREWS

D M4X25
 8 PCS 

F M4
 8 PCS

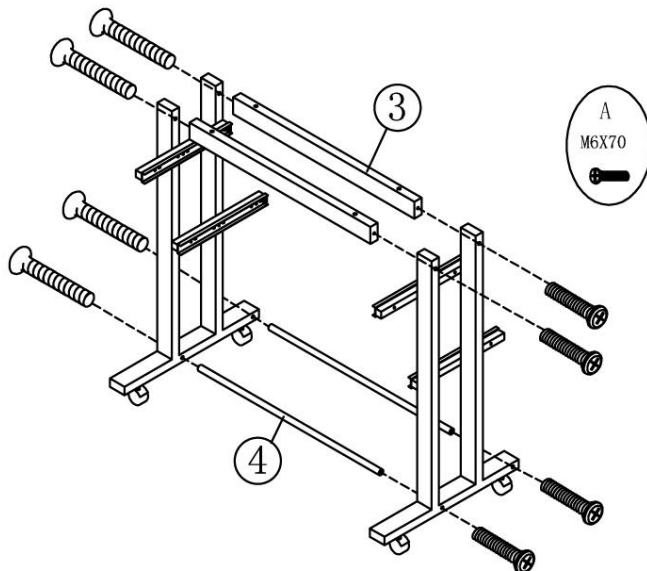
2



. SCREWS

C  4PCS 

3

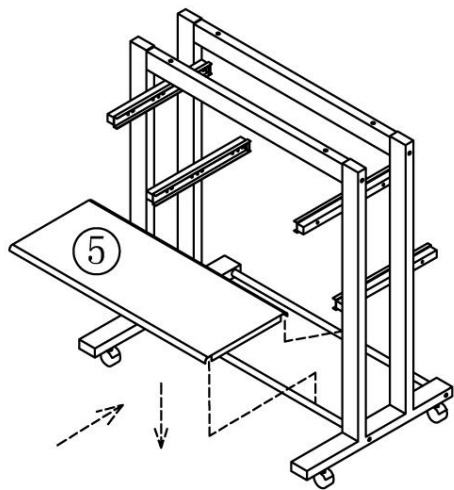


. SCREWS

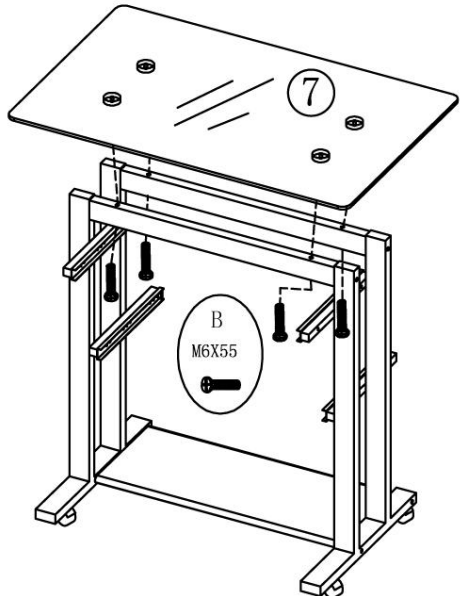
A M6X70
 8PCS 



Contact Us!
 We are here to help!
 customerservice@aosom.com or 1-877-644-9366

4

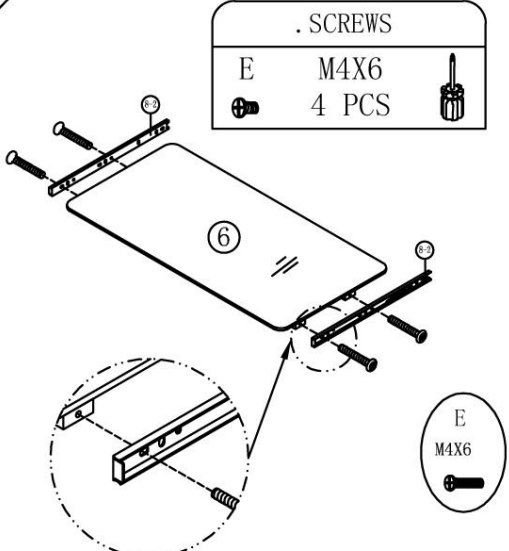




5



. SCREWS		
B	M6X55	
	4 PCS	

6



. SCREWS		
E	M4X6	
	4 PCS	

E	M4X6
	

7

