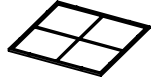




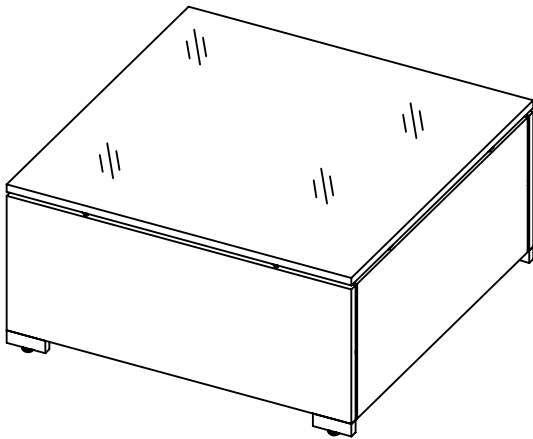


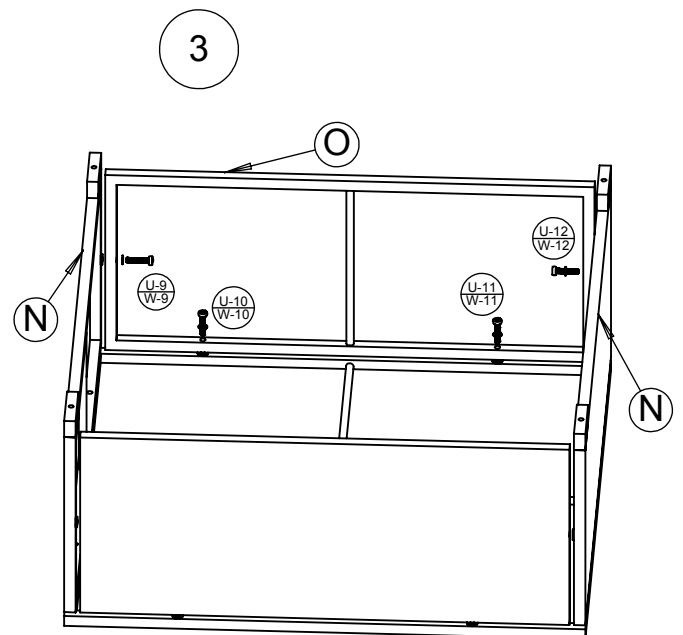
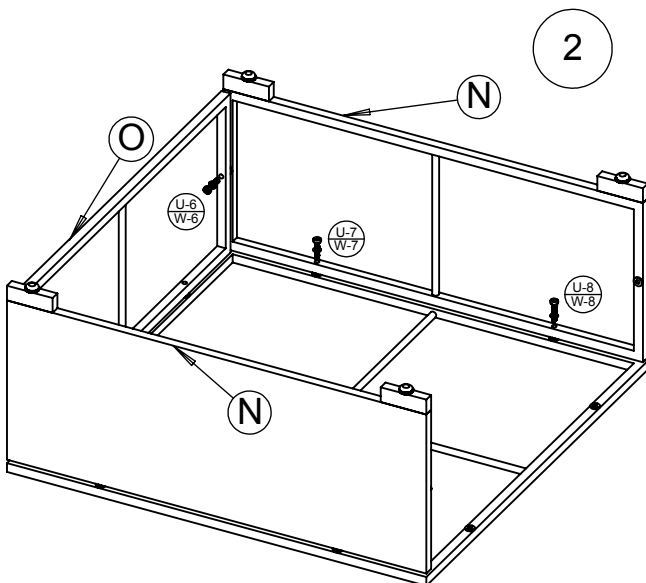
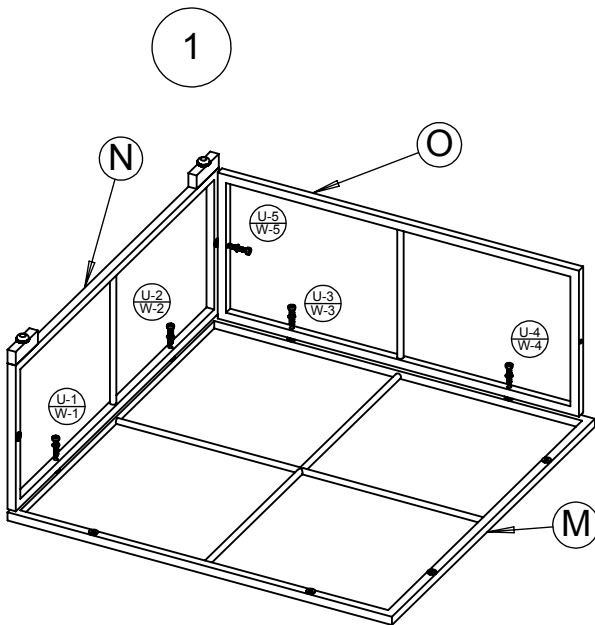
Parts List

Part No	Part Image	Part Name	QTY
M		Table Top	1
N		Table Leg	2
O		Leg connector bracket	2
U		M6*30mm Screw	12
W		Washer	12








Suggestions

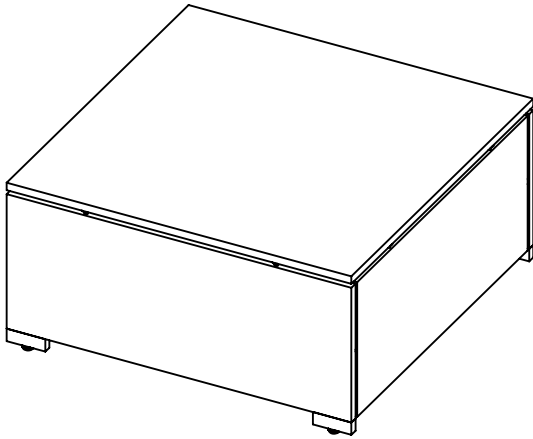
- 1 Two person at least
- 2 Assembled on the flat, soft ground.



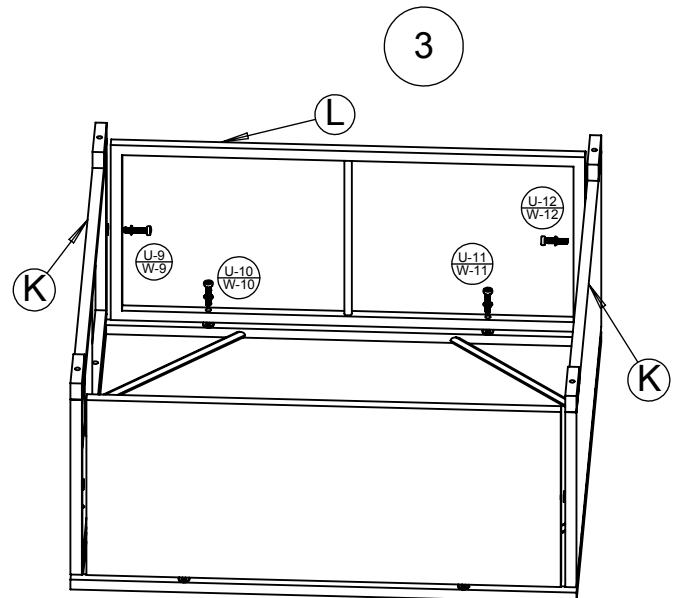
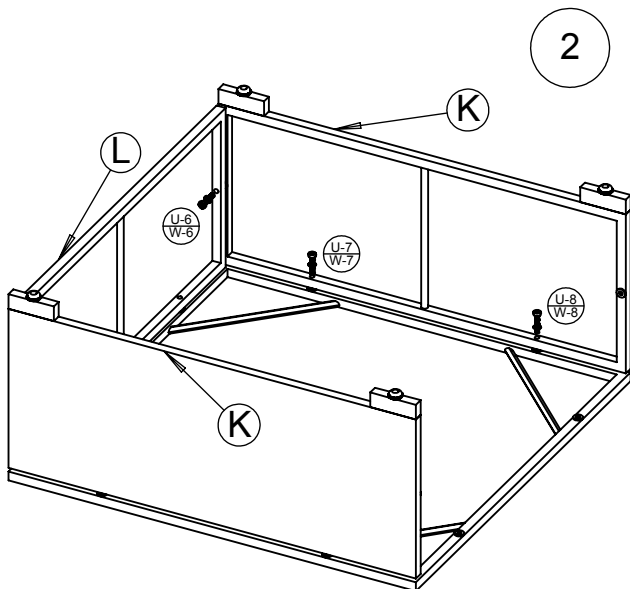
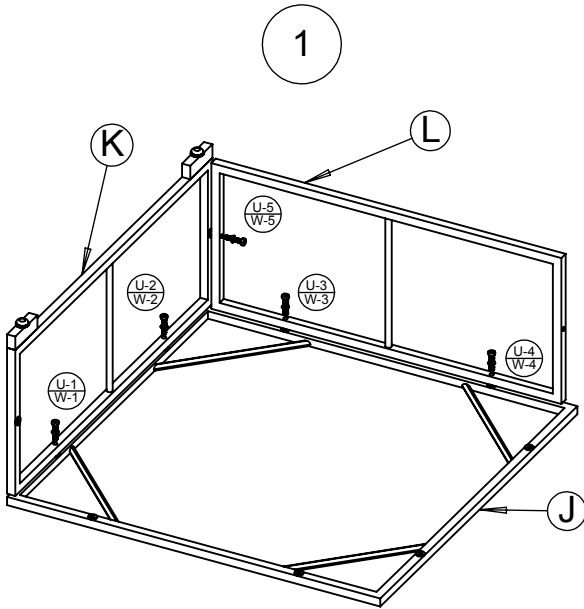
Notes: Do not tighten bolts fully until parts all are connected!

Parts List

Part No	Part Image	Part Name	QTY
J		Footrest Top	1
K		Footrest Leg	2
L		Leg connector bracket	2
U		M6*30mm Screw	12
W		Washer	12



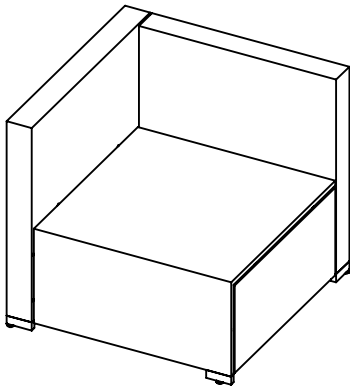
Suggestions
 1 Two person at least
 2 Assembled on the flat, soft ground.



Notes: Do not tighten bolts fully until parts all are connected!

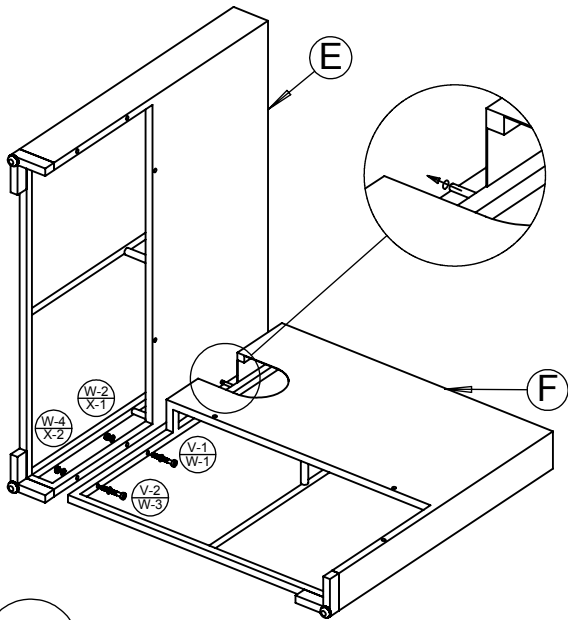
Assembly Instructions for 01-0319 right sofa

Parts List



part No	part Image	part Name	QTY
E		Armrest	1
F		Back	1
G		Seat	1
D		Side	1
U		M6*30 Screw	3
V		M6*45mm Screw	9
W		Washer	21
X		Nut	9

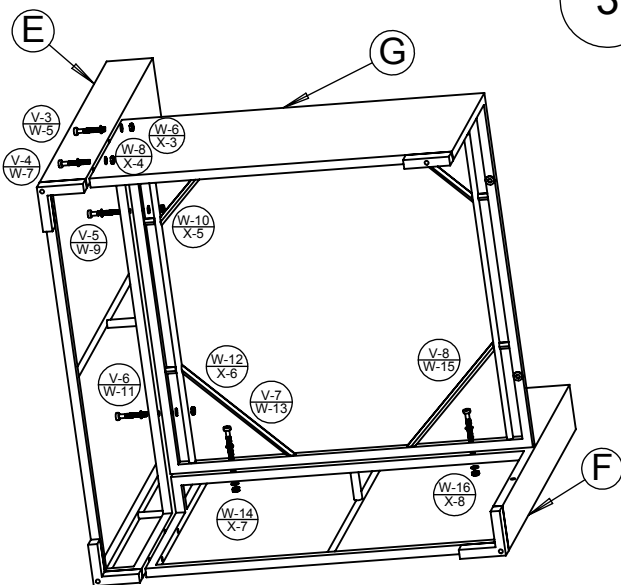
1



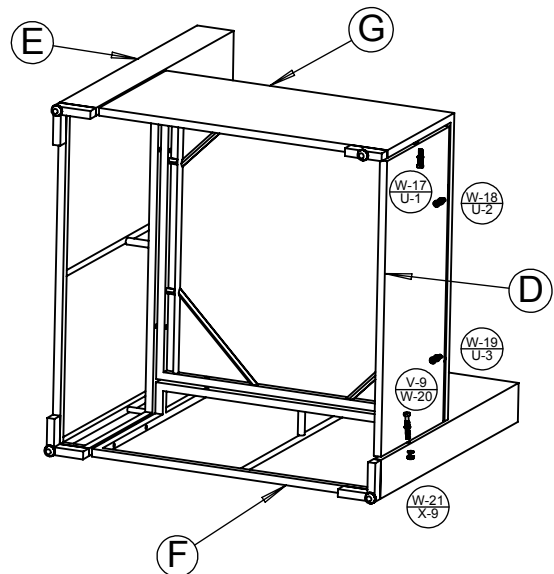
Suggestions

- 1 Two person at least
- 2 Assembled on the flat, soft ground.

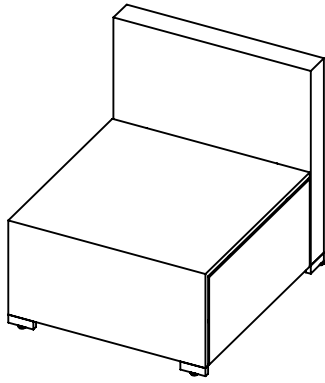
2



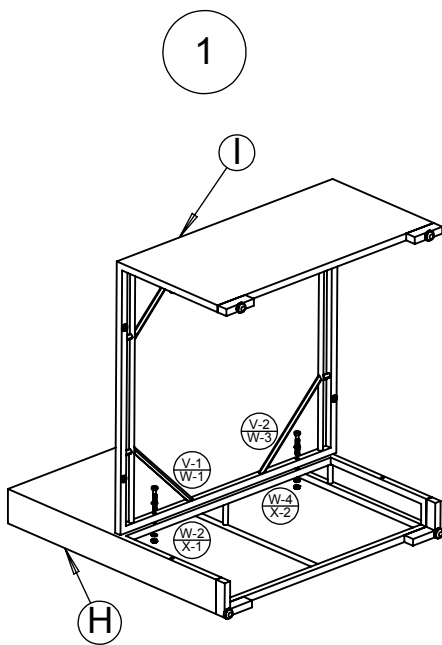
3



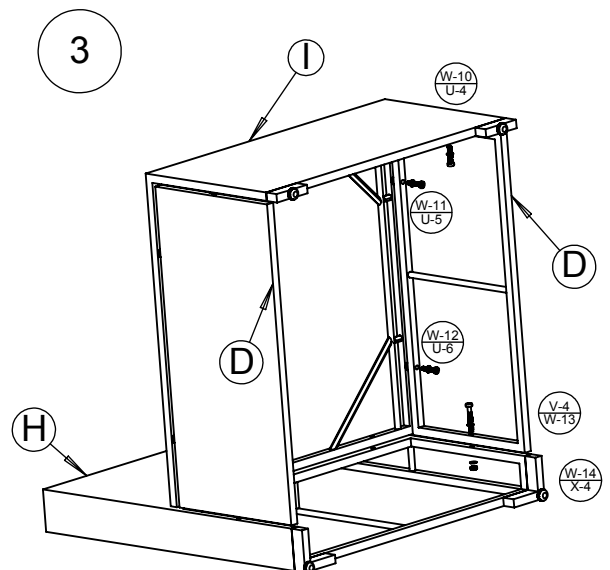
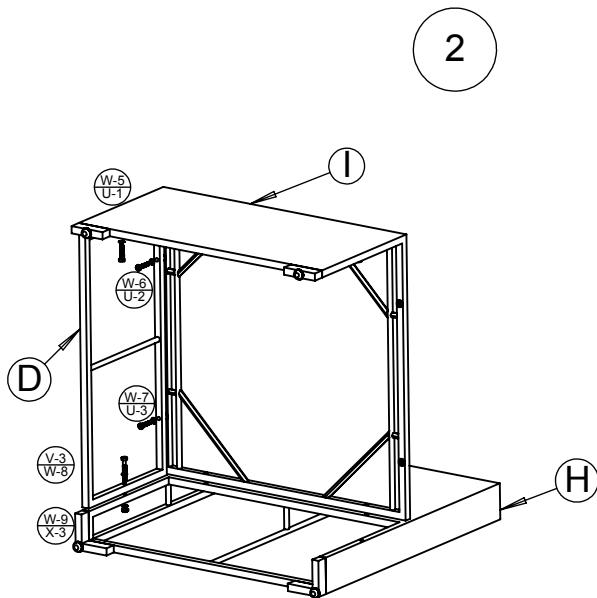
Notes: Do not tighten bolts fully until parts all are connected!



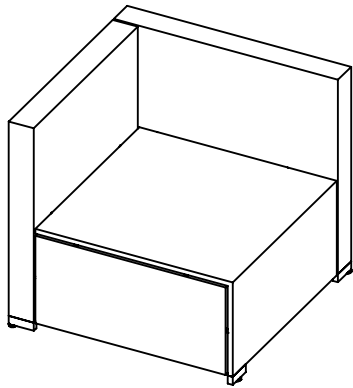
part No	part Image	part Name	QTY
H		Back	1
I		Seat	1
D		Side	2
U		M6*30mm Screw	6
V		M6*45mm Screw	4
W		Washer	14
X		Nut	4



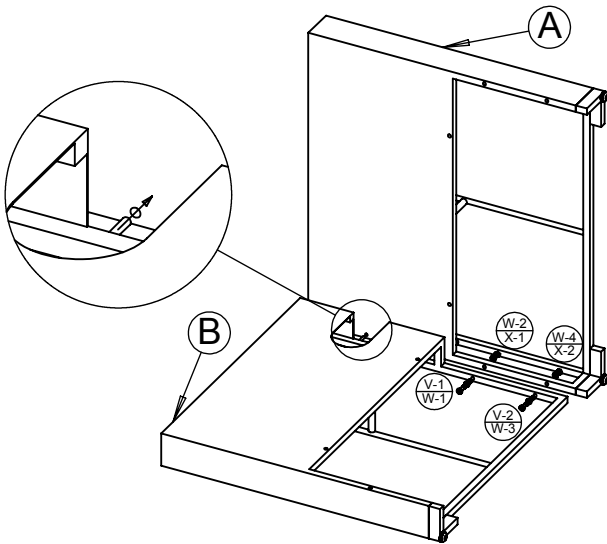
Suggestions
 1 Two person at least
 2 Assembled on the flat, soft ground.



Notes: Do not tighten bolts fully until parts all are connected!



1

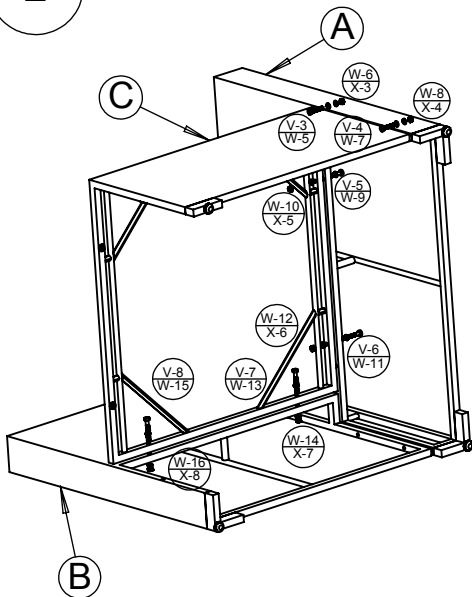


part No	part Image	part Name	QTY
A		Armrest	1
B		Back	1
C		Seat	1
D		Side	1
U		M6*30mm Screw	3
V		M6*45mm Screw	9
W		Washer	21
X		Nut	9

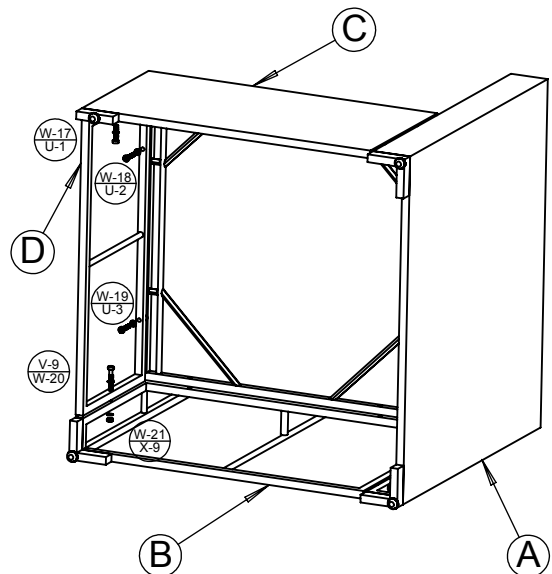
Suggestions

- Two person at least
- Assembled on the flat, soft ground.

2



3



Notes: Do not tighten bolts fully until parts all are connected!