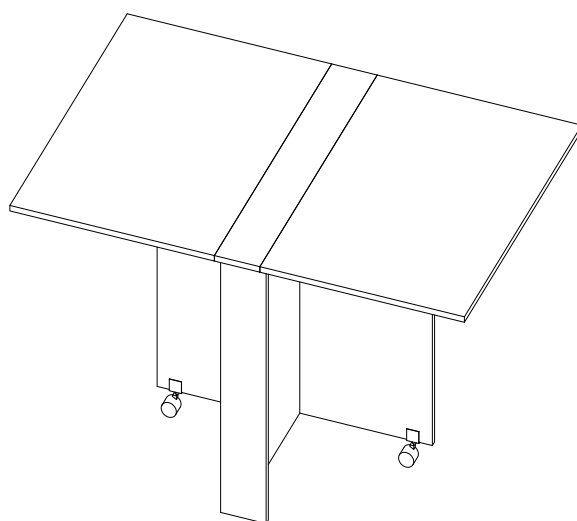




Assembly Instructions

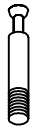





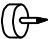


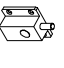



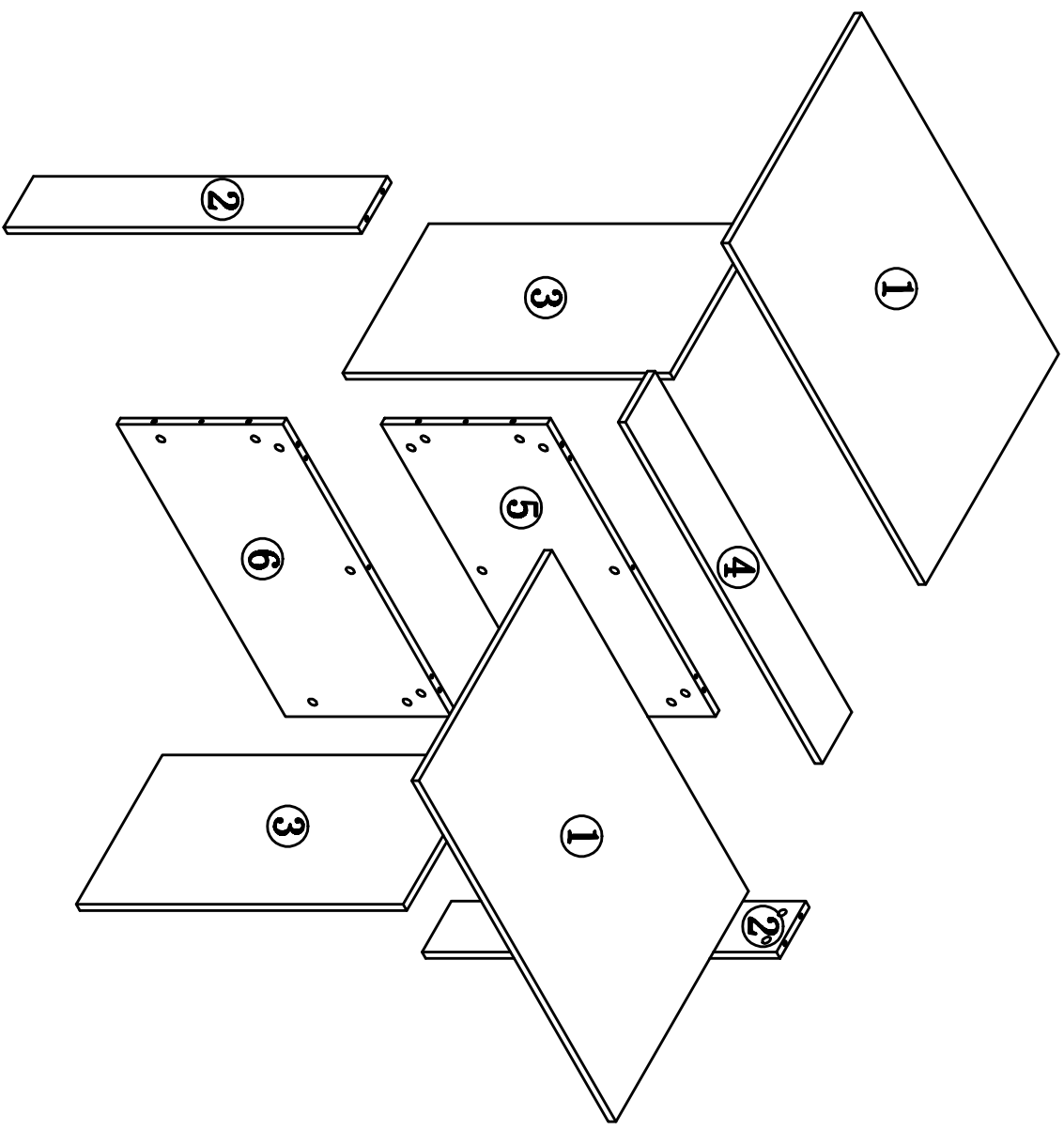
833-412

Special Warnings:

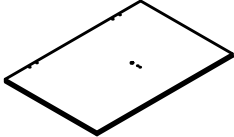
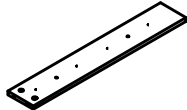
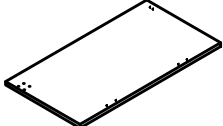
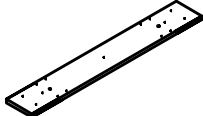
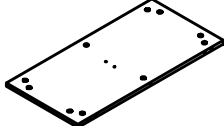
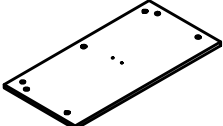
- * Please check that all parts are present before you start the assembly.
- * For the protection of your furniture, place all parts on a clean and smooth surface to prevent any damage.
- * For cleaning, wipe the surface with a damp (not wet) cloth or wipe dry with a clean lint free cotton cloth. Window cleaning liquid or a similar cleaning liquid can be used to clean the surface.
- * This unit is heavy. Please use an assistant when lifting. Never drag or push the pieces across the floor as this will cause damage to the joints.
- * Keep your furniture out of direct sunlight.

HARDWARE LIST

NO.	DESCRIPTION	QTY
A	 M6X34MM	15
B	 Ø15X12MM	21
C	 M6X30MM	10
D	 M2.5X14MM	60
E	 8	8
F	 2	2
G	 12	12
H	 2	2
I	 3	3
J	 2	2
K	 M3.4X14MM	6



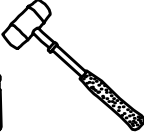




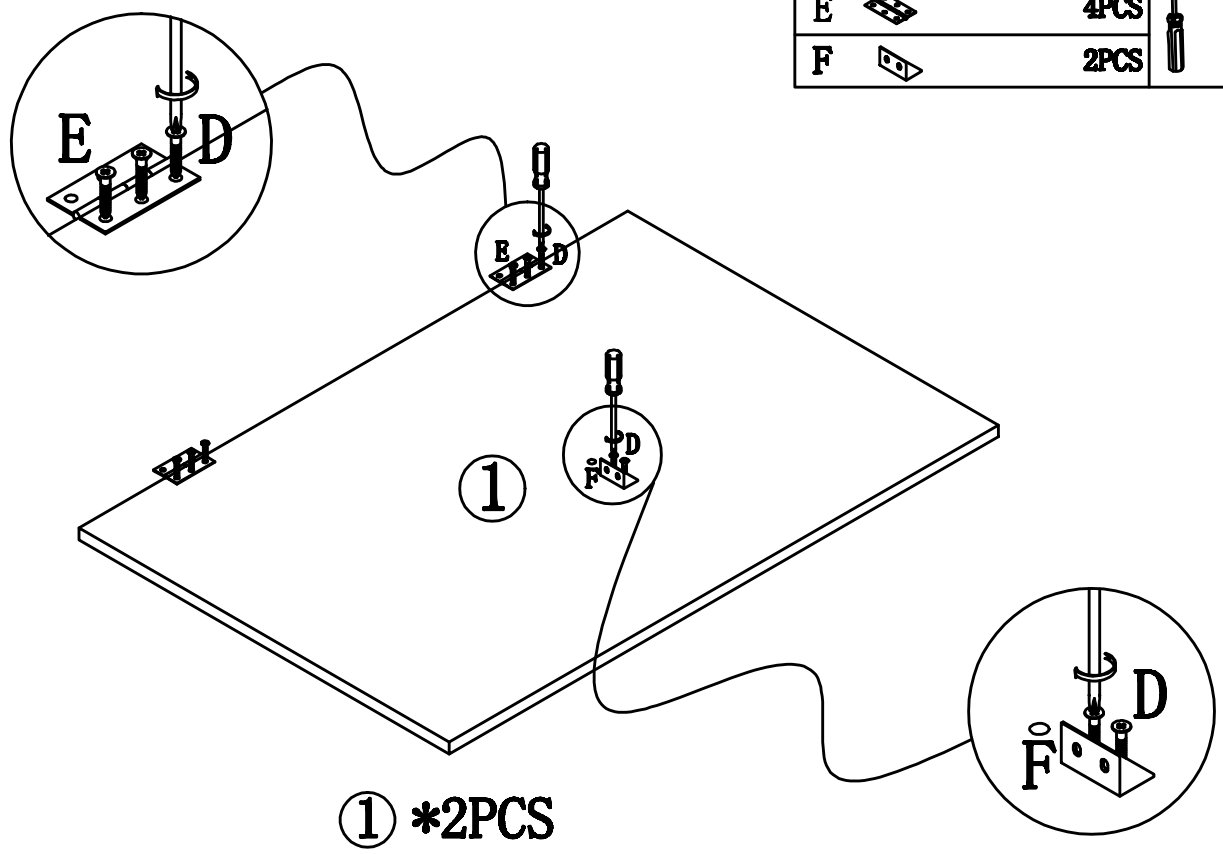
PARTS LIST

NO.	DESCRIPTION	QTY
1		2
	800MM*540MM*15MM	
2		2
	720MM*120MM*15MM	
3		2
	665MM*350MM*15MM	
4		1
	800MM*120MM*15MM	
5		1
	685MM*337MM*15MM	
6		1
	685MM*337MM*15MM	

STEP 1




HARDWARE LIST

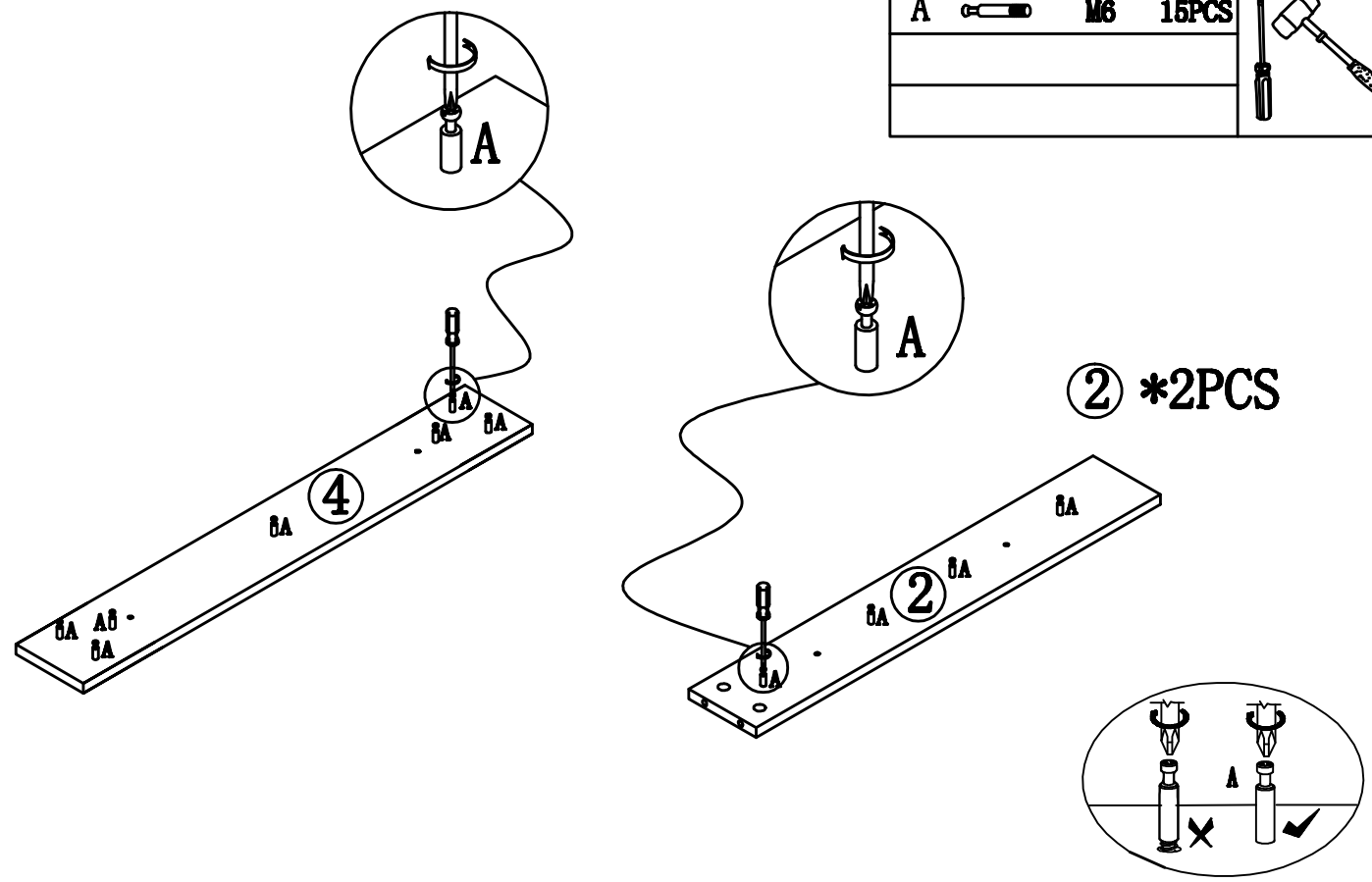
D		M2.5	16PCS	 
E			4PCS	
F			2PCS	



STEP 2

HARDWARE LIST

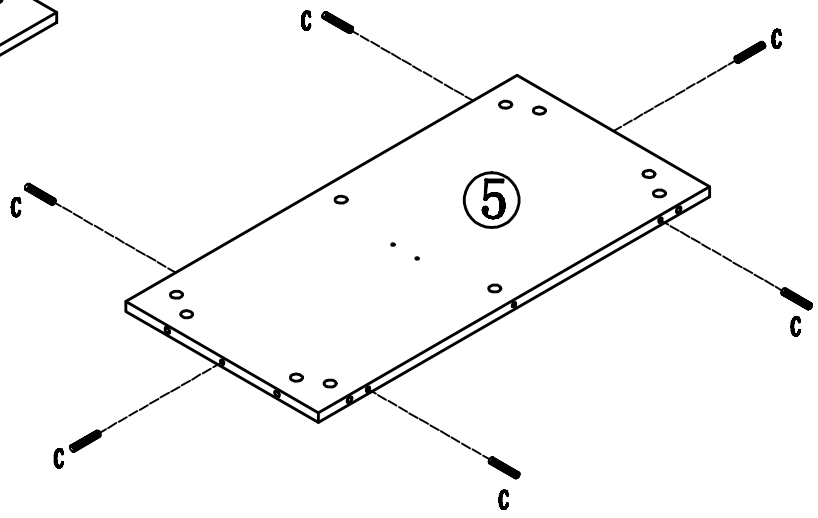
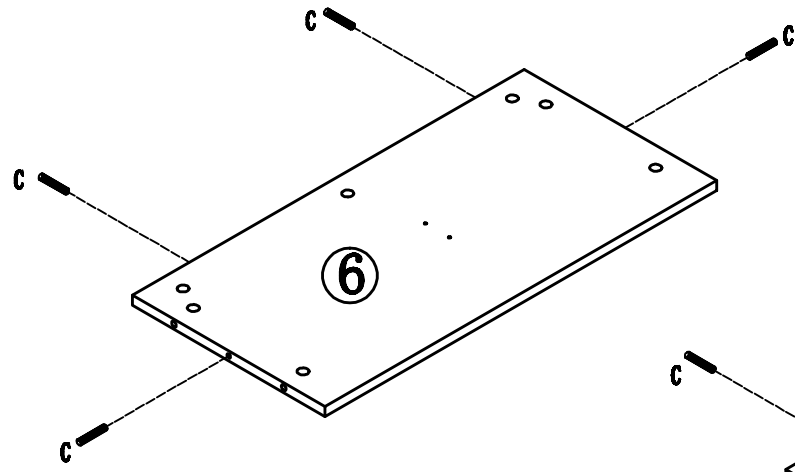
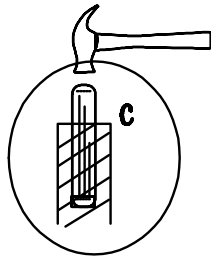
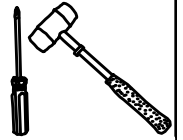
A		M6	15PCS	 



STEP 3

HARDWARE LIST

C		M6	10PCS
---	---	----	-------



STEP 4


HARDWARE LIST


D		M2.5	20PCS
---	---	------	-------

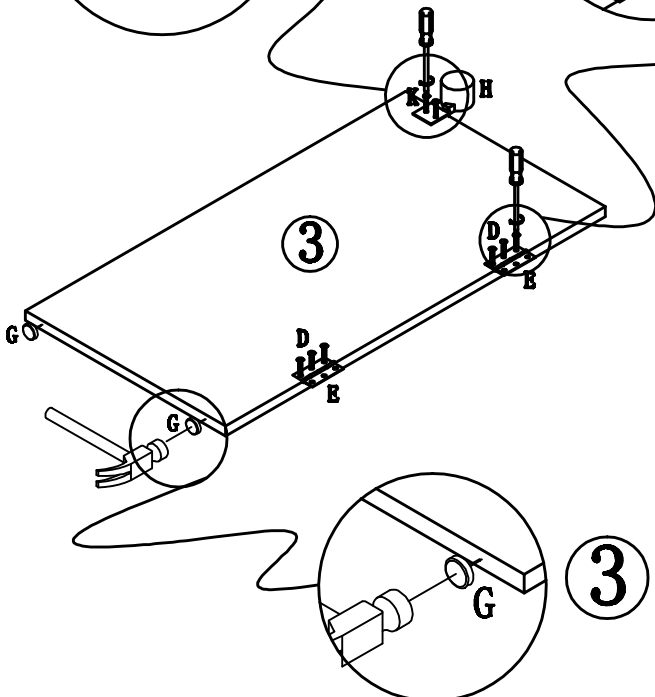
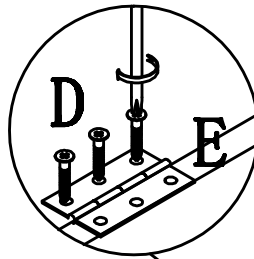
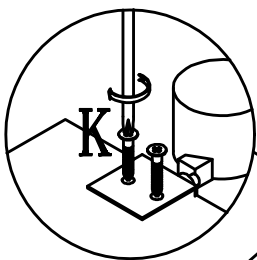
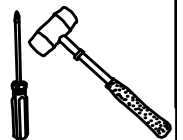
E			4PCS
---	---	--	------

G			4PCS
---	---	--	------

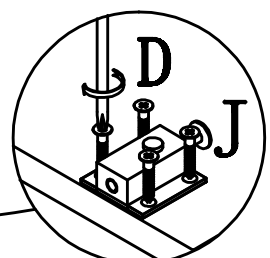
H			2PCS
---	---	--	------

J			2PCS
---	---	--	------

K		M3.4	6PCS
---	---	------	------





③ *2PCS

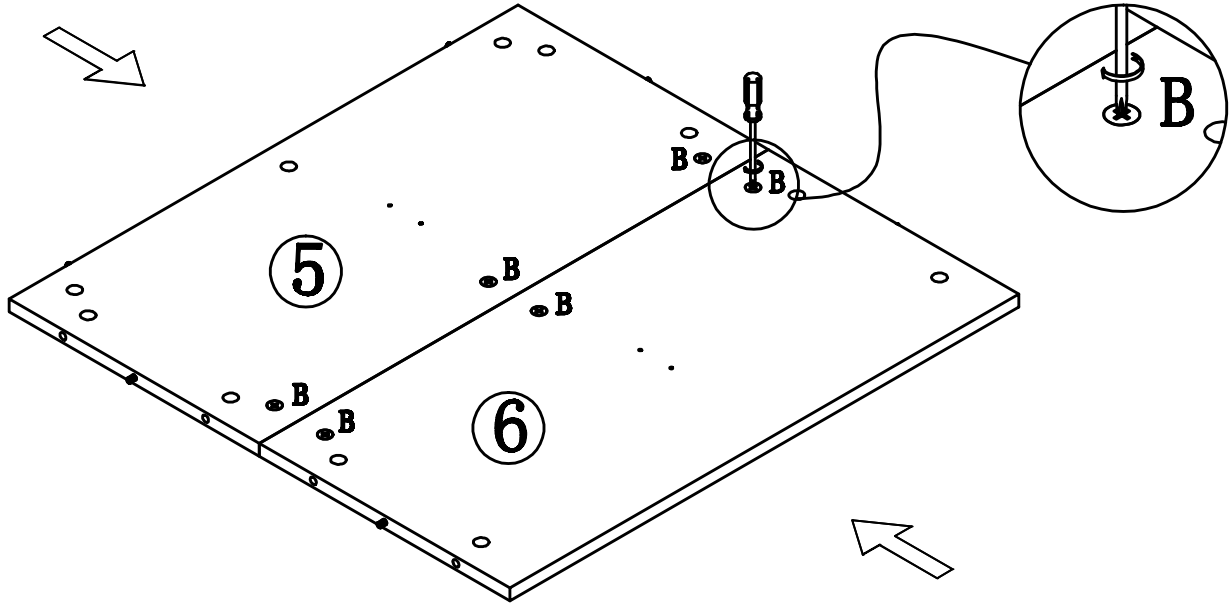
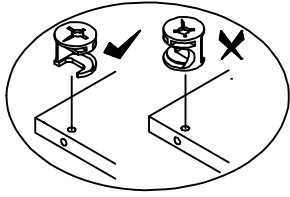
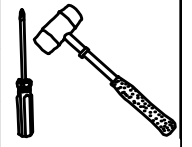


STEP 5

HARDWARE LIST

B  M15 6PCS


I  3PCS

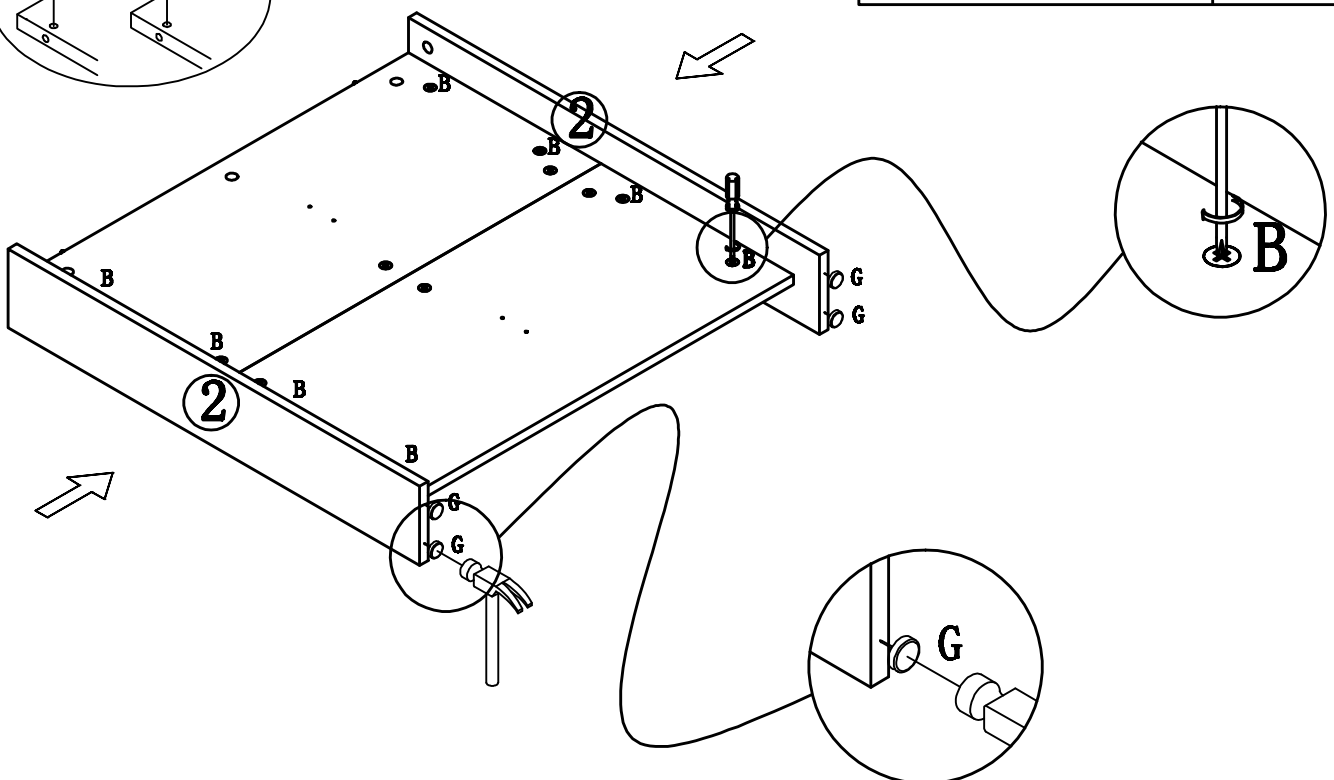
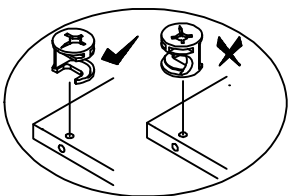
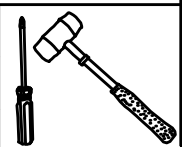


STEP 6

HARDWARE LIST

B  M15 8PCS

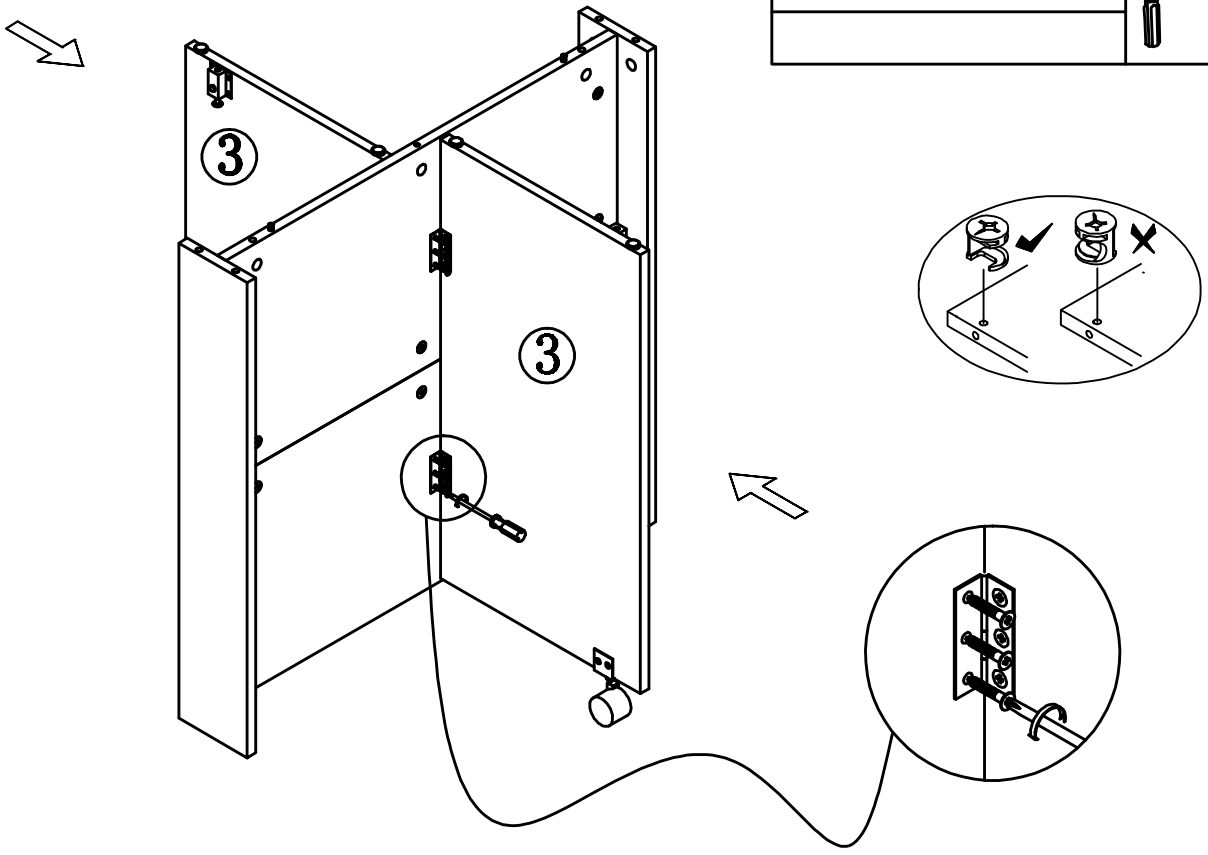
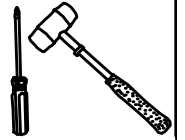
G  4PCS



STEP 7

HARDWARE LIST

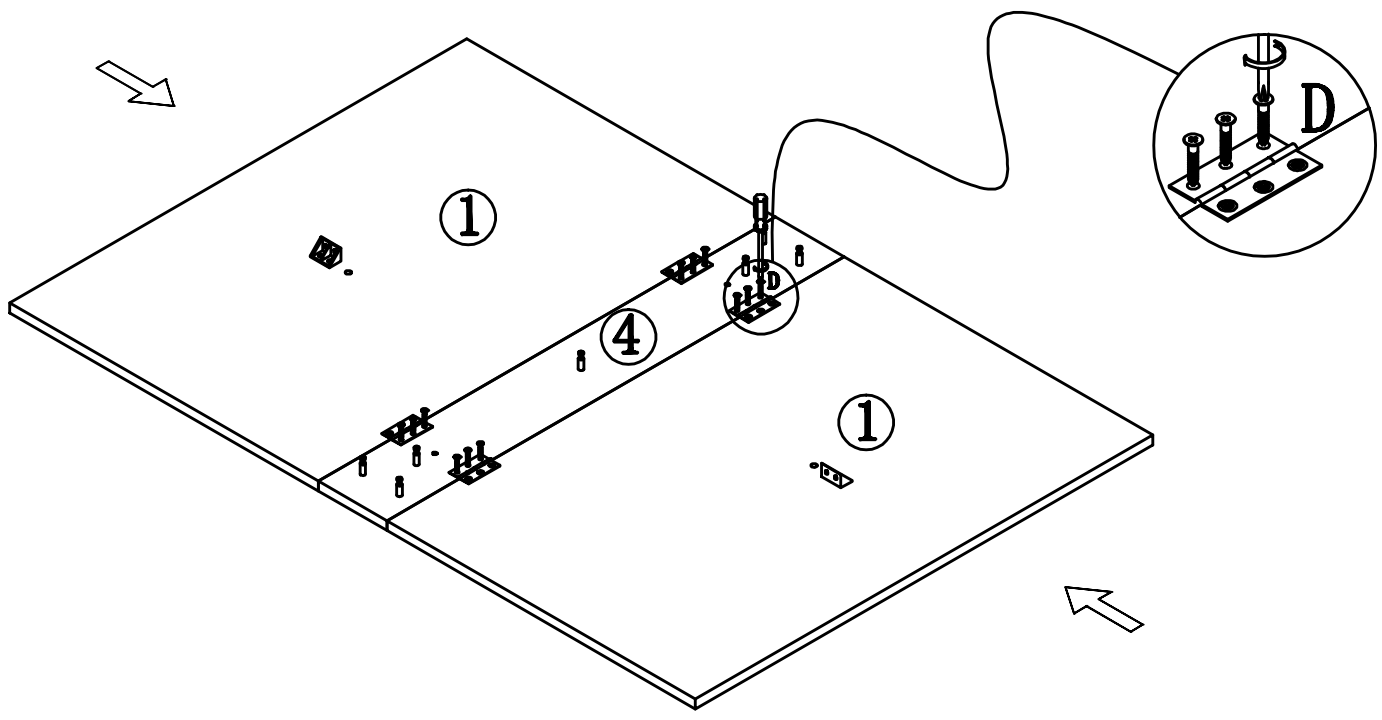
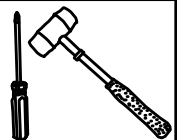
D		M2.5	12PCS



STEP 8


HARDWARE LIST

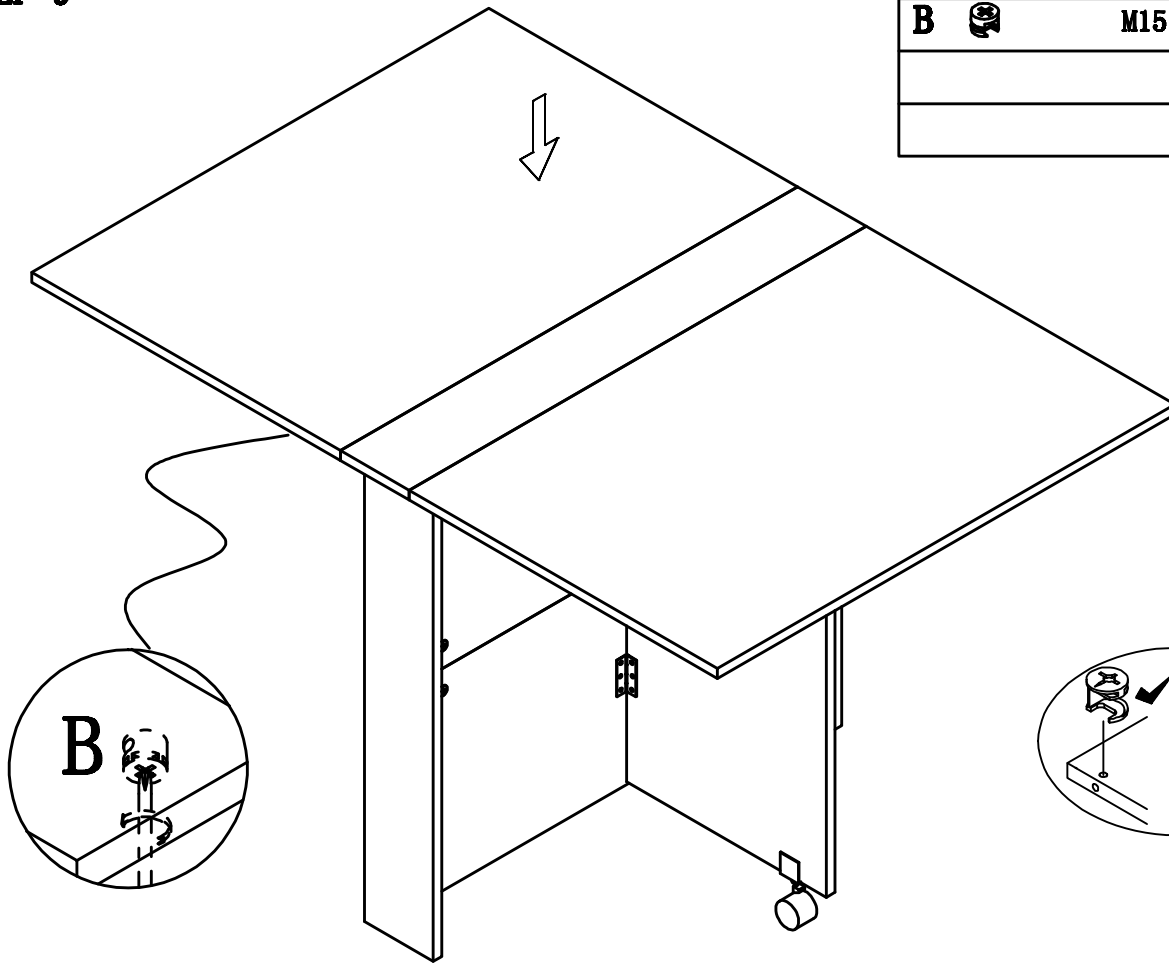
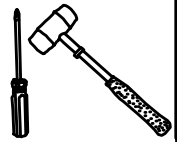
D		M2.5	12PCS



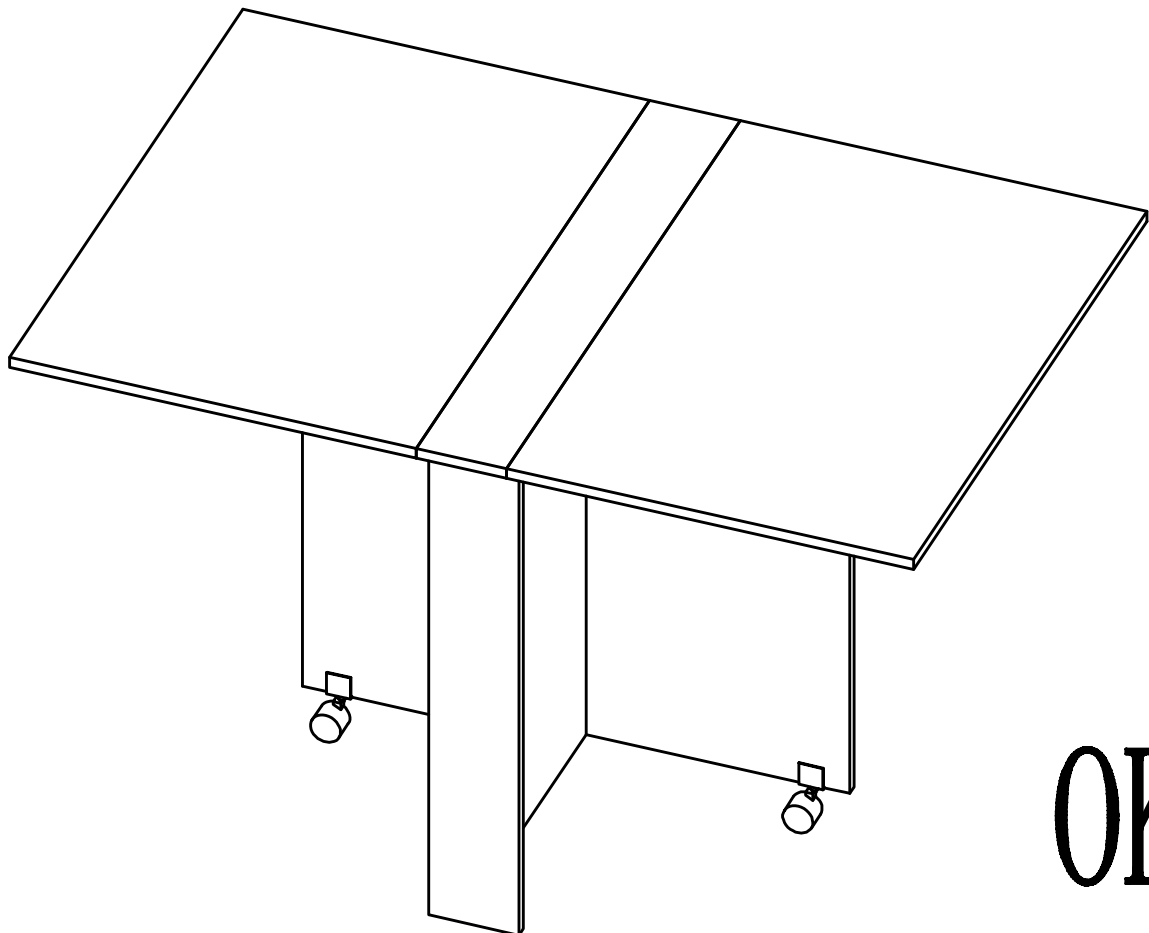
STEP 9

HARDWARE LIST

B  M15 7PCS



STEP 10



OK