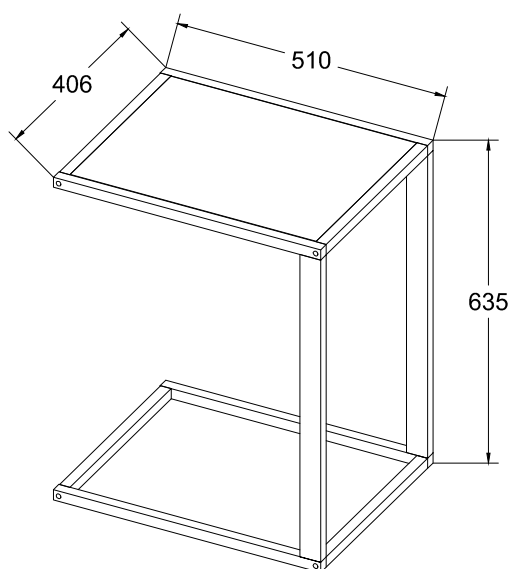




Assembly Instructions



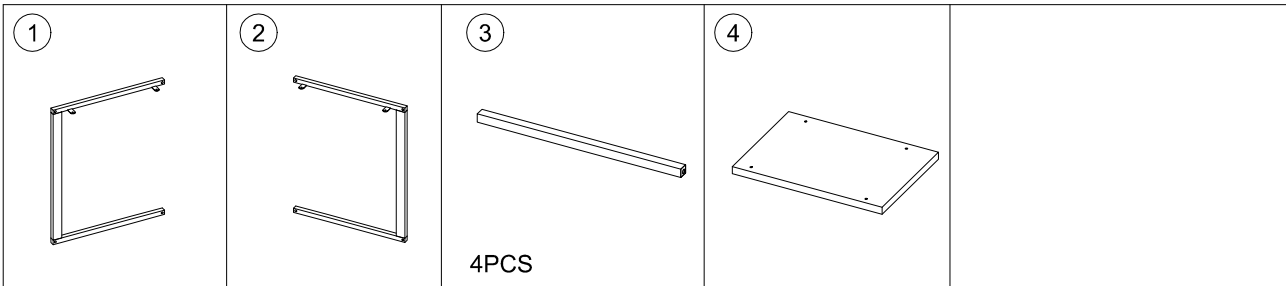
833-194




Special Warnings

- Keep your furniture out of direct sunlight. Please use desk pads and coasters to protect the surface from dents, scratches, and moisture from hot or cold liquids.
- For cleaning, wipe the surface with a damp (not wet) cloth or wipe dry with a clean lint free cotton cloth. Window cleaning liquid or a similar cleaning liquid can be used to clean glass surface.

Operation Instructions

- Please check that all parts are present before you start the assembly of your furniture. For the protection of your furniture, place all parts on a clean and smooth surface to prevent any damage.
- Please periodically check all fitting and re-tighten as necessary.
- Please assemble the table by 2 persons or more.
- Do NOT over tighten hardware.



Part.	Item.	QTY.	
A	M3.5X14	4	
B	M6X35	8	
C	M6	4	
		1	