
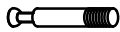










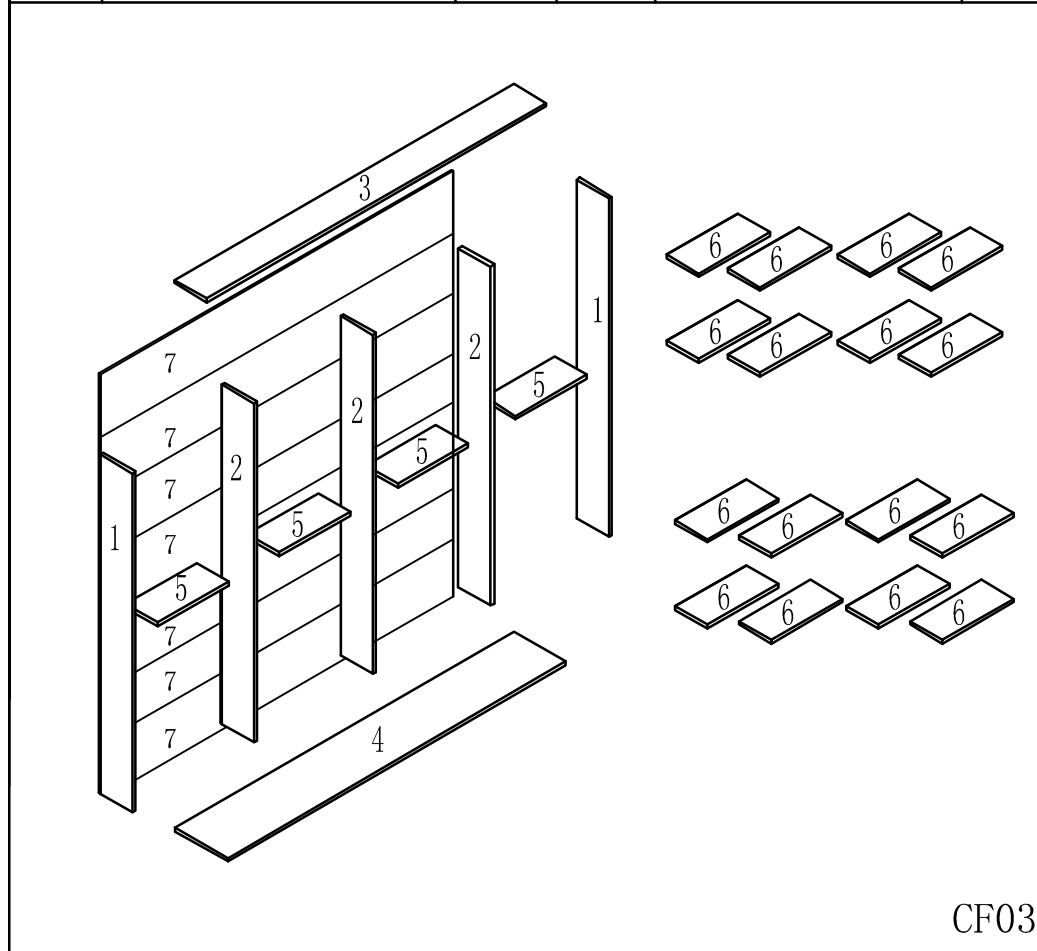



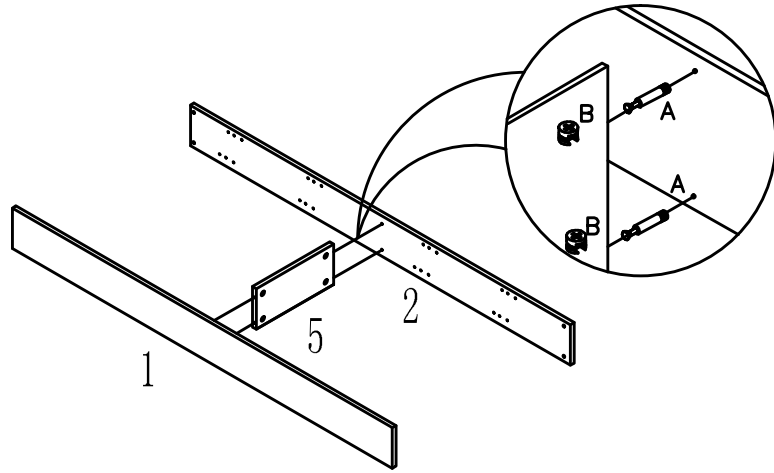


PARTS LIST			HARDWARE LIST		
NO.	DESCRIPTION	QTY	NO.	DESCRIPTION	QTY
1		2	A	 M6X32MM	36
2		3	B	 M15X12MM	36
3		1	C		64
4		1	D	 M1X20MM	36
5		4	E		4
6		16			
7		7			






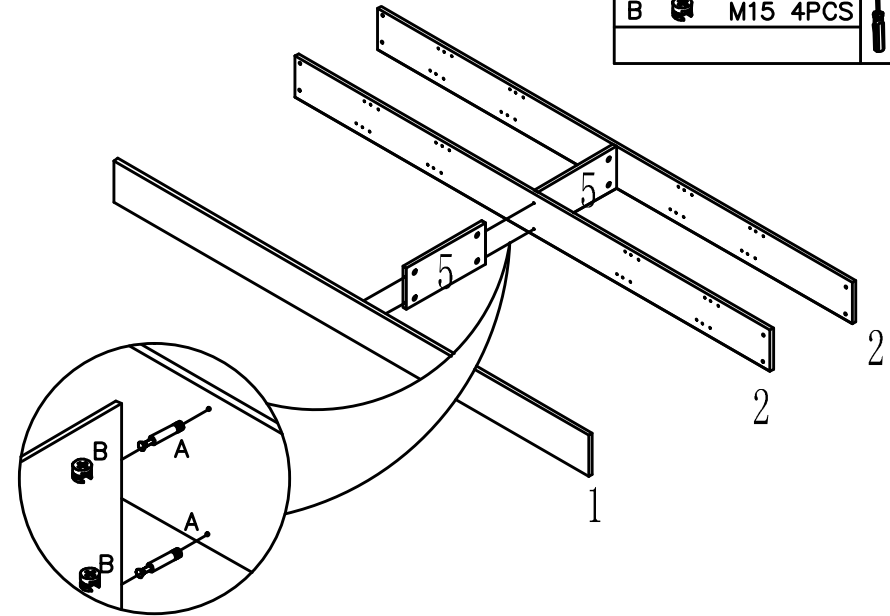
STEP 1

HARDWARE LIST		
A	 M6 4PCS	
B	 M15 4PCS	






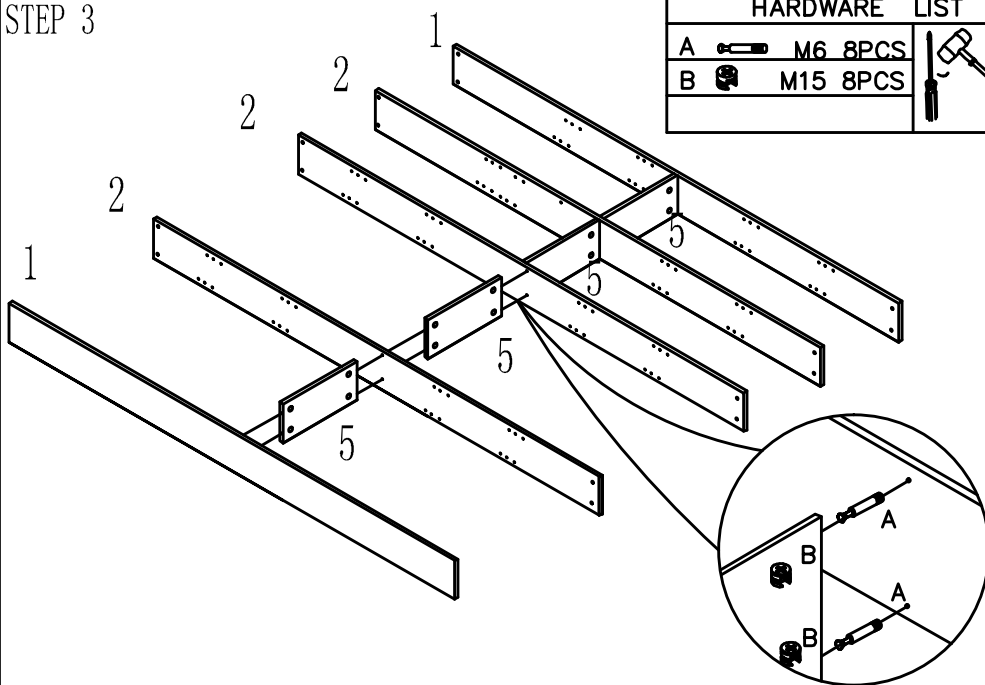
STEP 2

HARDWARE LIST		
A	 M6 4PCS	
B	 M15 4PCS	

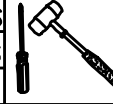





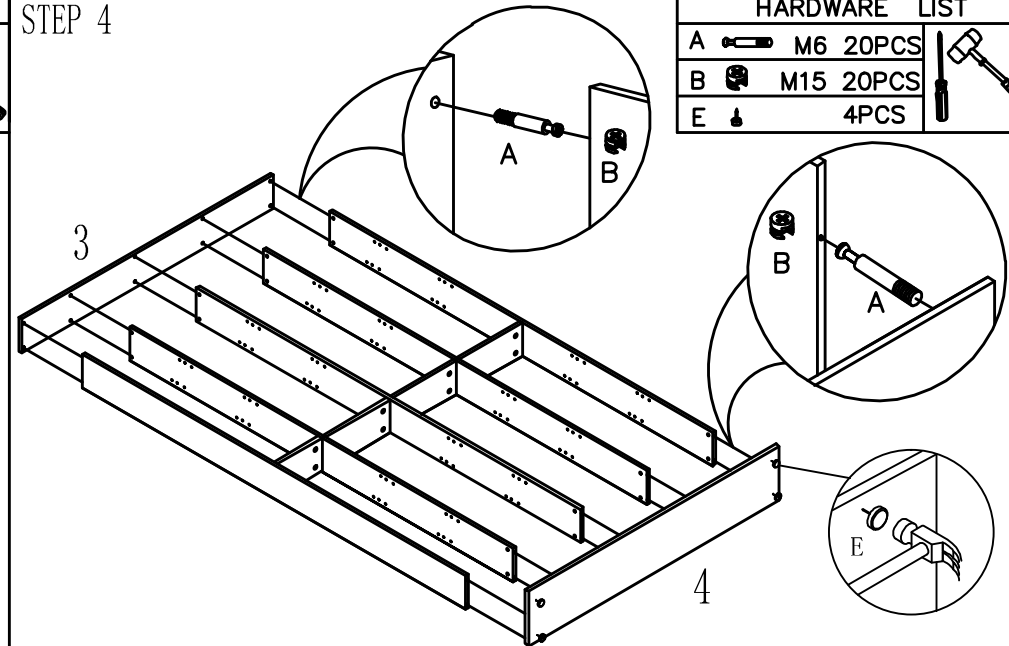
STEP 3

HARDWARE LIST		
A	 M6 8PCS	
B	 M15 8PCS	

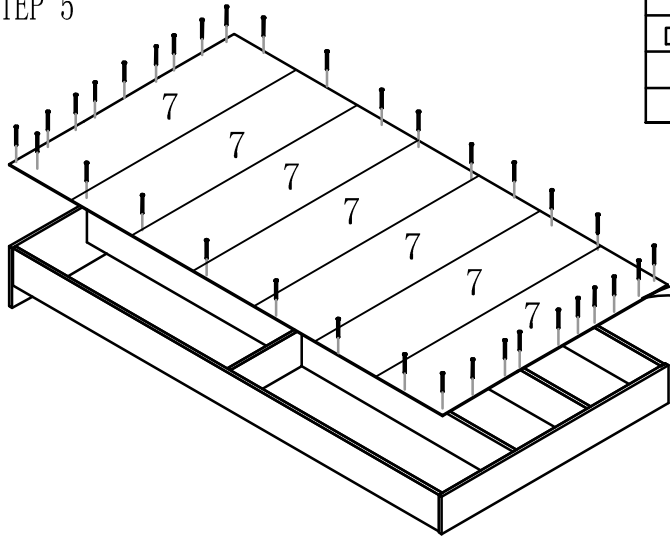


STEP 4

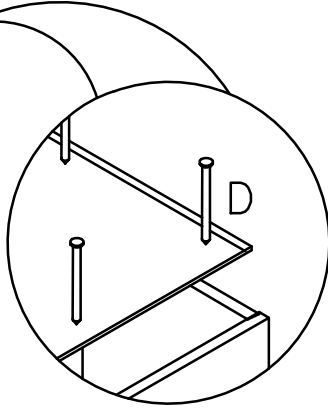
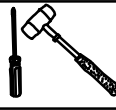
HARDWARE LIST		
A	 M6 20PCS	
B	 M15 20PCS	
E	 4PCS	



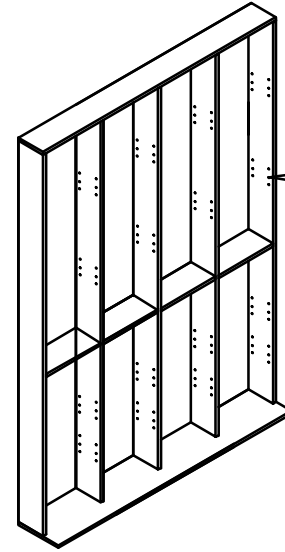
STEP 5



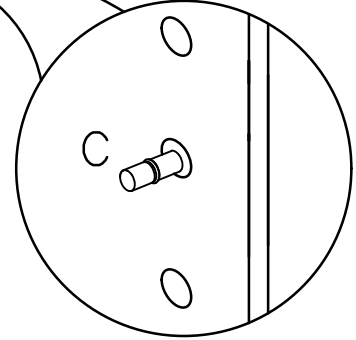

HARDWARE LIST	
D	M1 36PCS



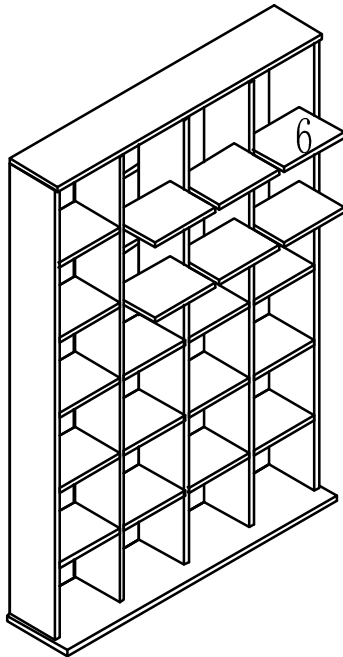
STEP 6



HARDWARE LIST	
C	M5 64PCS



STEP 7



STEP 8

