



INSTALLATION AND USER INSTRUCTION GUIDE



Electric Fireplace

Model: EF480

Please read all instructions carefully and
retain for future reference

**IMPORTANT: THESE INSTRUCTIONS SHOULD BE READ CAREFULLY AND
RETAINED FOR FUTURE REFERENCE.**

Important Safety Instructions

- Please read all instructions carefully before using this product.
- Make sure that the voltage rating label on the type plate corresponds to your main voltage. If not see your retailer and do not connect the appliance.
- Never use the appliance unsupervised when in use.
- If you have to leave even for a short moment please stop the appliance.
- Keep out of reach of children and do not allow them to operate this appliance
- Only use the appliance for domestic purposes and in the way indicated in these instructions.
- From time to time check the cord for damages. Never use the appliance if the cord or any part of the appliance shows any signs of damage.
- If the supply cord is damaged, it must be replaced by the manufacturer, its service agent or similarly qualified persons in order to avoid a hazard.
- Make sure the connection cord does not touch any hot surfaces.



- **WARNING:** In order to avoid overheating, do not cover the heater.
- Keep the appliance at least 15cm (6inches) from walls and any other thing, to permit a good air circulation.
- Do not use the appliance outdoors
- Do not use if you have wet hands.
- Never use the appliance on or near hot surfaces.
- Never move the appliance by pulling the cord.
- Before cleaning the appliance, make sure it is unplugged from the power and that it is completely cooled.
- Do not clean the appliance with abrasive chemicals.
- Never use accessories that are not recommended or supplied by the manufacturer. It could cause danger to the user or damage to the appliance
- Never route the mains cable beneath carpet.
- Never use the heater to dry clothes or any other similar items.
- The heater must not be located immediately below a socket outlet.
- This heater must not be used with an extension lead.
- Do not use this heater with a programmer, timer or any other device that switches the heater on automatically, since a fire risk exists if the heater is covered or positioned incorrectly.
- Do not use this heater in the immediate surroundings of a bath, a shower or a swimming pool.
- **CAUTION:** In order to avoid a hazard due to inadvertent resetting of the thermal cutout, this appliance must not be supplied through an external switching device, such as a timer, or connected to a circuit that is regularly switched on and off by the utility.
- This appliance can be used by children aged from 8 years and above and persons with reduced physical, sensory or mental capabilities or lack of experience and knowledge if they have been given supervision or instruction concerning use of the appliance in a safe way and understand the hazards involved. Children shall not play with the appliance. Cleaning and user maintenance shall not be made by children without supervision.

- Children of less than 3 years should be kept away unless continuously supervised.
- Children aged from 3 years and less than 8 years shall only switch on/off the appliance provided that it has been placed or installed in its intended normal operating position and they have been given supervision or instruction concerning use of the appliance in a safe way and understand the hazards involved. Children aged from 3 years and less than 8 years shall not plug in, regulate and clean the appliance or perform user maintenance.
- **CAUTION** — Some parts of this product can become very hot and cause burns. Particular attention has to be given where children and vulnerable people are present.
- **WARNING:** This heater is not equipped with a device to control the room temperature. Do not use this heater in small rooms when they are occupied by persons not capable of leaving the room on their own, unless constant supervision is provided.
- Regarding the instructions for replacing bulb, thanks to refer to the below paragraph of the manual.
- **CAUTION: TO PREVENT ELECTRIC SHOCK MATCH WIDE BLADE OF PLUG TO WIDE SLOT, FULLY INSERT.**
- **ATTENTION: POUR ÉVITER LES CHOCS ÉLECTRIQUES, INTRODUIRE LA LAME LA PLUS LARGE DE LA FICHE DANS LA BORNE CORRESPONDANTE DE LA PRISE ET POUSSER JUSQU'AU FOND.**
- **TO RESET TEMPERATURING LIMITING CONTROL DISCONNECT POWER USING PLUG CAP OR MAIN SWITCH FOR 5 MIN.**
- **SAVE THESE INSTRUCTIONS.**

Getting Started

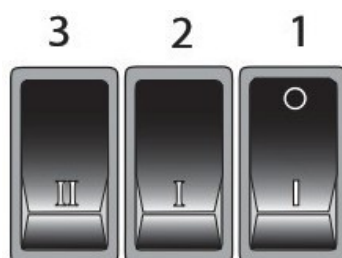
- Remove the appliance from the box.
- Remove any packaging from the product.
- Place the packaging inside the box and either store or dispose of safely.

Contents of Carton

- Heater.
- 1 Instruction Manual.

Operation Instructions

- **Caution:** This heater should free from noticeable vibration when it is operating, this could cause the bulb break down. Please turn the heater off firstly before movement, maintenance or clearing.
- The heater controls are located on the back side of the heater. Three rocker switches provide a choice of heat settings.

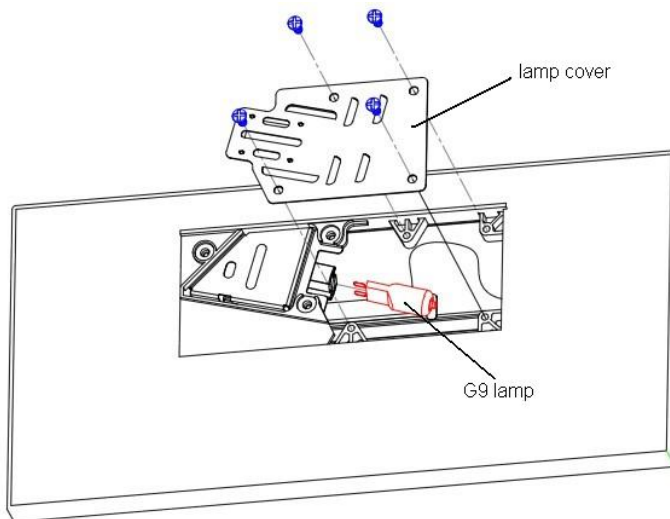


- Switch 1 (I) Switchs on/off electricity supply to the heater and flame effect
- **Note:** This switch must be in the ON (I) position for heater to operate with or without heat
- Switch 2 (I) Switchs on/off 500W heat output
- Switch 3 (II) Switchs on/off 1000W output with switch 2
- **Note:** The flame effect can be operated with or without heat.

Safety Cut-Off

- This appliance is fitted with a safety cut-off which will operate if the fire overheats (e.g. Due to blocked air vents). For safety reasons, the fire will NOT automatically reset.
- To reset the appliance, disconnect the appliance from the mains supply for at least 15 minutes. Reconnect the supply to the mains and switch on the appliance.

Replacing the Lamp



- **Warning-**Always disconnect from the power supply before replacing lamp.
- **Warning-**The lamp reaches high temperatures during operation. Allow the lamp to cool down after switching off the appliance before replacing lamp.
- Lay on its back firstly.
- A 25W G9 halogen lamp are located inside a lamp cover.
- To gain access to the lamp, the four screws which secure the lamp cover, must be removed.
- Remove the defective lamp by pulling it out of the holder.
- Replace with a 25W G9 halogen lamp. Take care not to touch the lamp with bare hands and ensure that the lamp is pushed home.
- Refit the lamp cover and secure with the four screws.

Cleaning

- **Warning-**Always disconnect from the power supply before cleaning heater
- For general cleaning use a soft clean duster-never use abrasive cleaners. The glass viewing screen should be cleaned carefully with a soft cloth. DO NOT use proprietary glass cleaners

Technical Specification

- Voltage: 120V~ 60Hz
- Rated power: 1000W
- Lighting: 25W bulb x 1

WARNING

Manufacturer and seller expressly disclaim any and all liability for personal injury, property damage or loss, whether direct, indirect, or incidental, resulting from the incorrect attachment, improper use, inadequate maintenance, or neglect of this product.

Contact us !

We are here to help!

customerservice@aosom.com or 1-877-644-9366