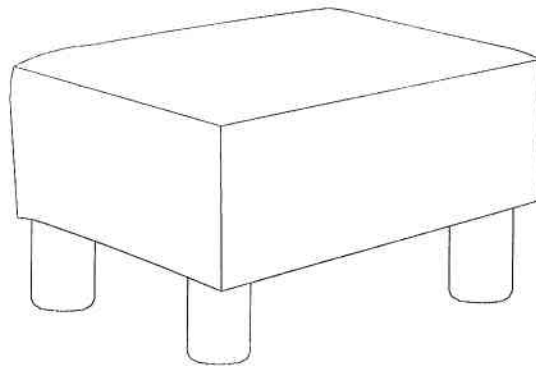


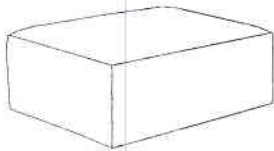
02 - 0238



ASSEMBLY INSTRUCTION



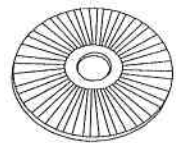
Ax1



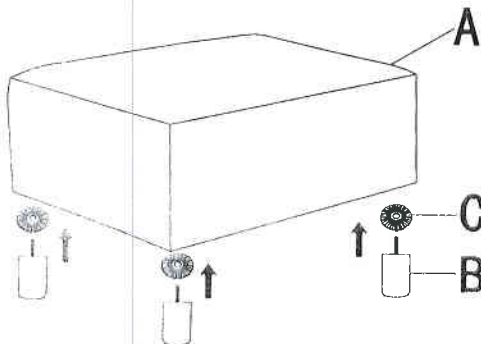
Bx4



Cx4



STEP : 1



WHEN ASSEMBLED

