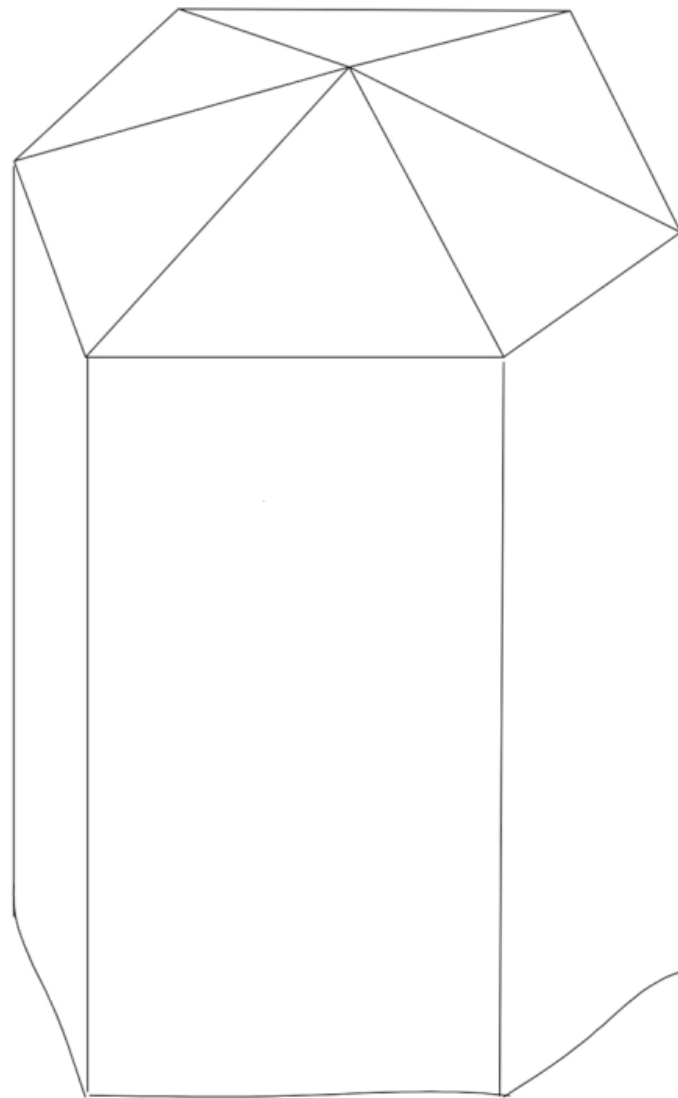




INbfa013V01_GL

01-0470








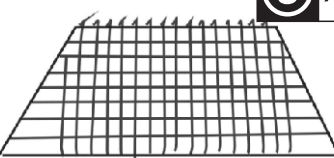










Assembly video please scan the QR code .





IMPORTANT, RETAIN FOR FUTURE REFERENCE: READ CAREFULLY

ASSEMBLY & INSTRUCTION MANUAL

PARTS

 <p>1 x03</p>	 <p>2 x06</p>	 <p>3 x06</p>
 <p>4 x24</p>	 <p>5 x22</p>	 <p>6 x15</p>
 <p>7 x18</p>	 <p>8 x10</p>	 <p>9 x01</p>
 <p>A x06</p>	 <p>B x08</p>	 <p>C x04</p>
 <p>D x08</p>	 <p>E x04</p>	 <p>F x04</p>
		 <p>G x08</p>

HARDWARE

 <p>10 x06</p>	 <p>11 x06</p>
 <p>12 x01</p>	 <p>13 x01</p>

