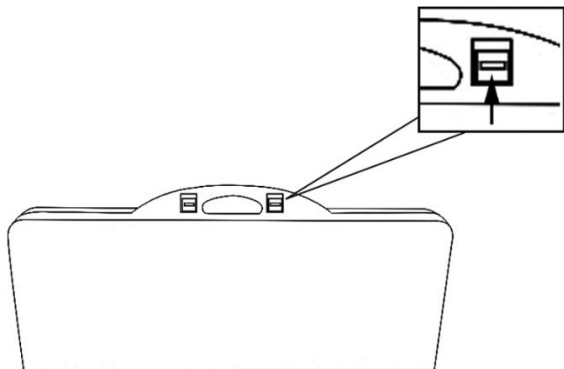
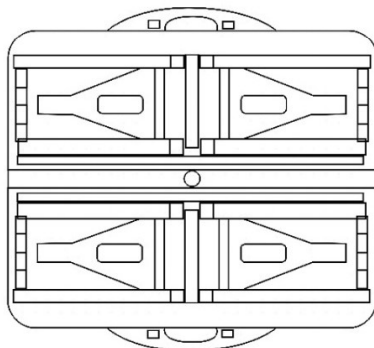


Outsunny Assembly Instructions

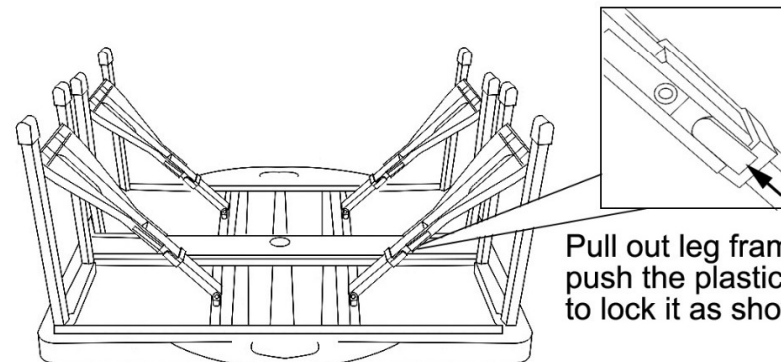


Lift up lock buttons as shown in the picture to open.

STEP 1

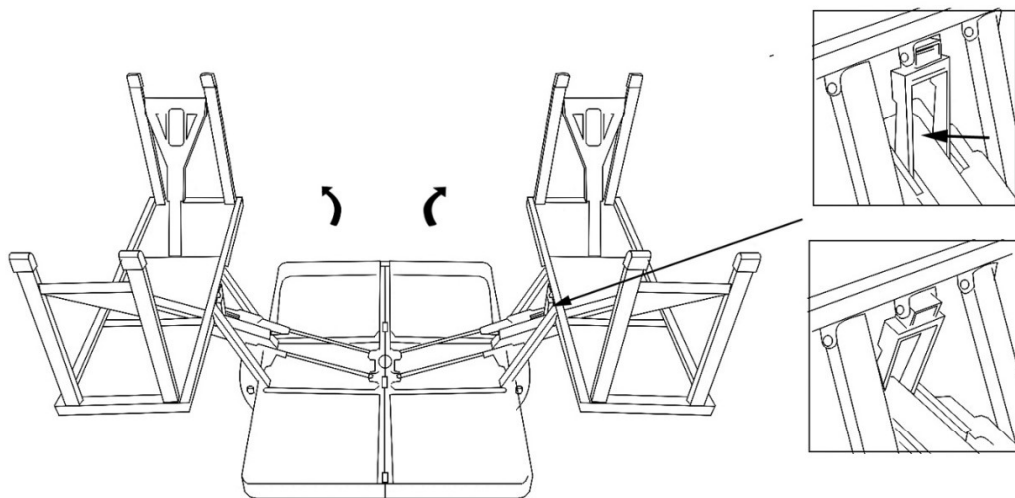


STEP 2



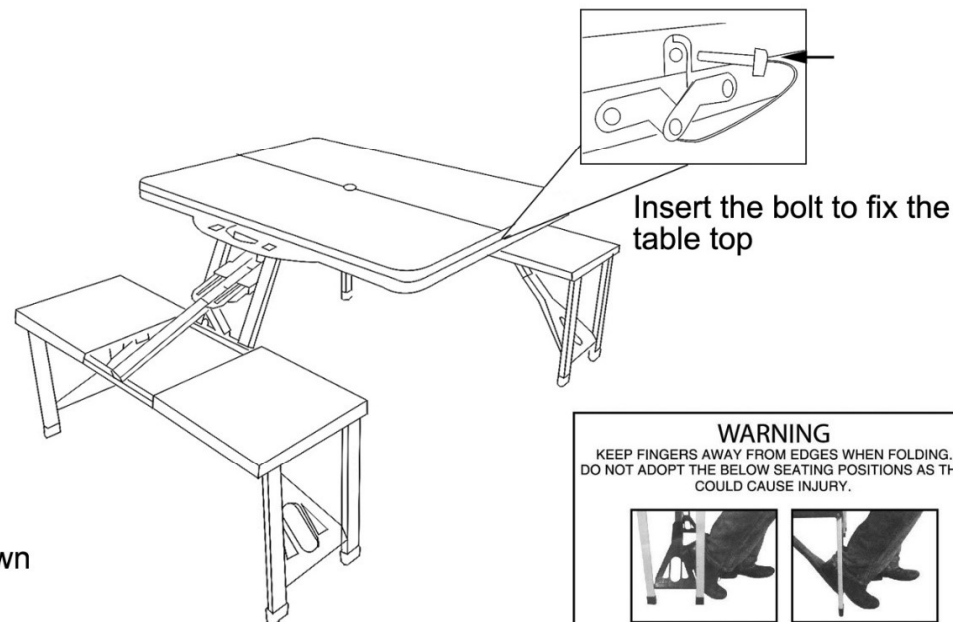
Pull out leg frames and push the plastic buckle to lock it as shown.

STEP 3



Push the safety lever to end as shown in picture

STEP 4



Insert the bolt to fix the table top

STEP 5

WARNING
KEEP FINGERS AWAY FROM EDGES WHEN FOLDING.
DO NOT ADOPT THE BELOW SEATING POSITIONS AS THIS
COULD CAUSE INJURY.

