

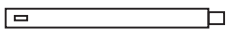

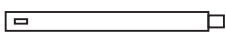
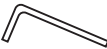
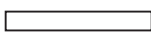

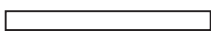

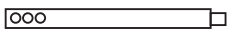
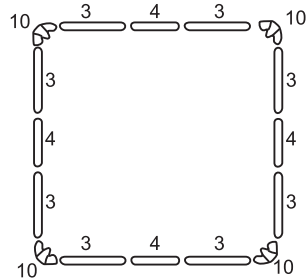


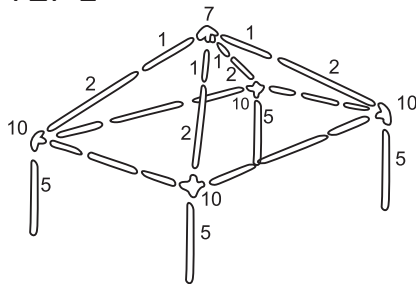
Outsunny Assembly Instructions

NO.	PARTS	QTY	NO.	PARTS	QTY
1		4	7		1
2		4	8		4
3		8	9		8
4		4	10		4
5		4	11		4
6		4			

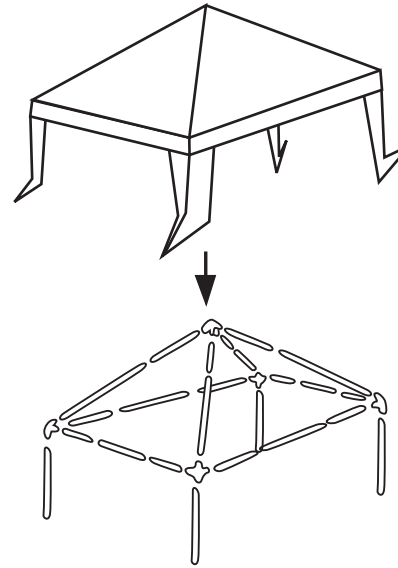
STEP 1



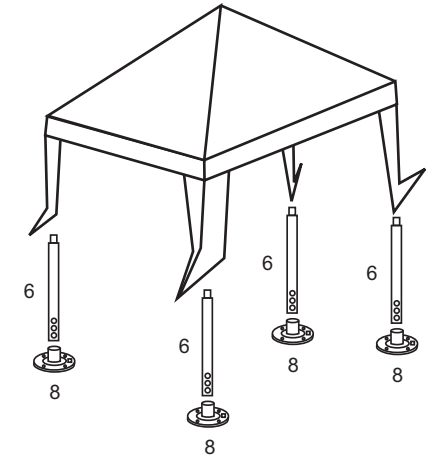
STEP 2



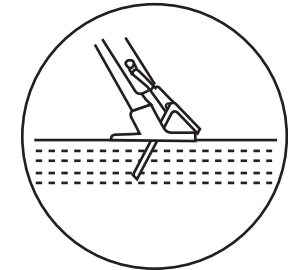
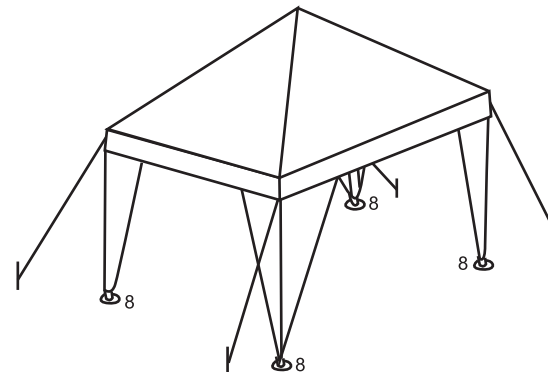
STEP 3



STEP 4



STEP 5



CAUTION:

Non-permanent structure, not to be used in high winds.
Please note that damages resulting from an accident, careless use, neglect, or weather related conditions (e.g. : wind damage, storms, tornados, hurricanes, etc.) are not covered under our limited warranty.