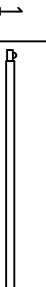


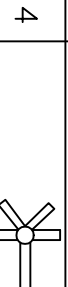








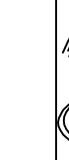



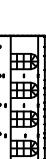
6,8x5M

Assembly Instructions

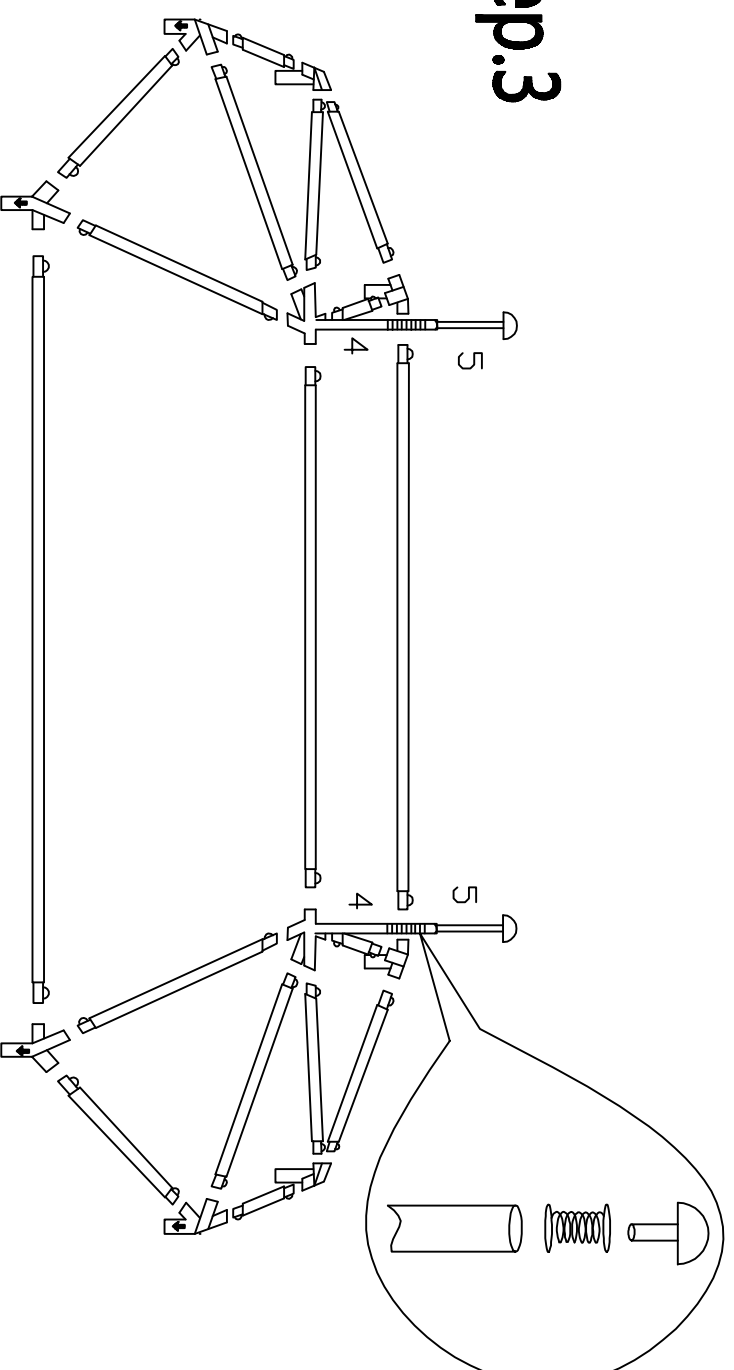
Item No	Pic	Qty
1		9PCS
2		8PCS
3		8PCS
4		2PCS

Item No	Pic	Qty
5		2PCS
A		2PCS
B		2PCS
C		4PCS

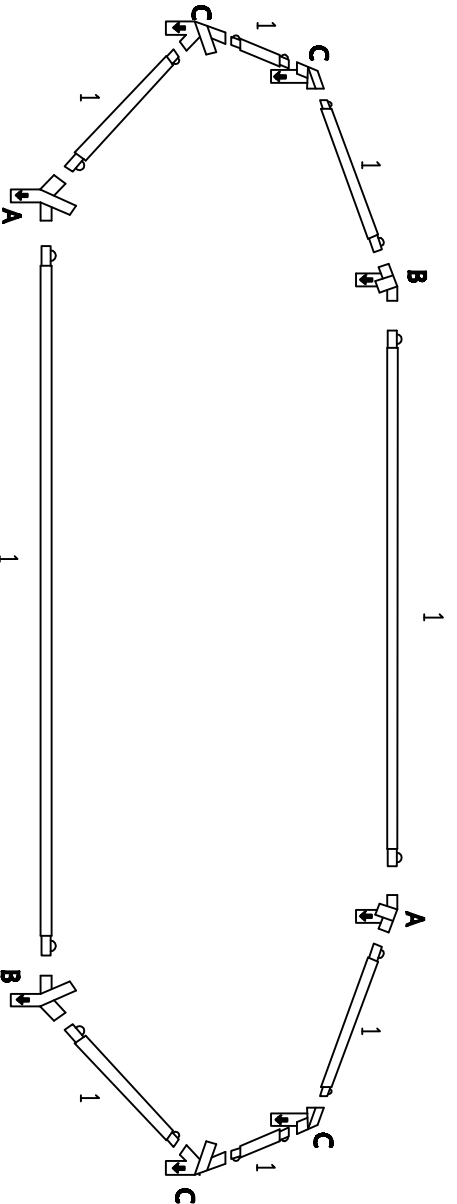
Item No	Pic	Qty
		8PCS
		8PCS
		2PCS
		16PCS
		8PCS

Item No	Pic	Qty
		1PCS
		2PCS

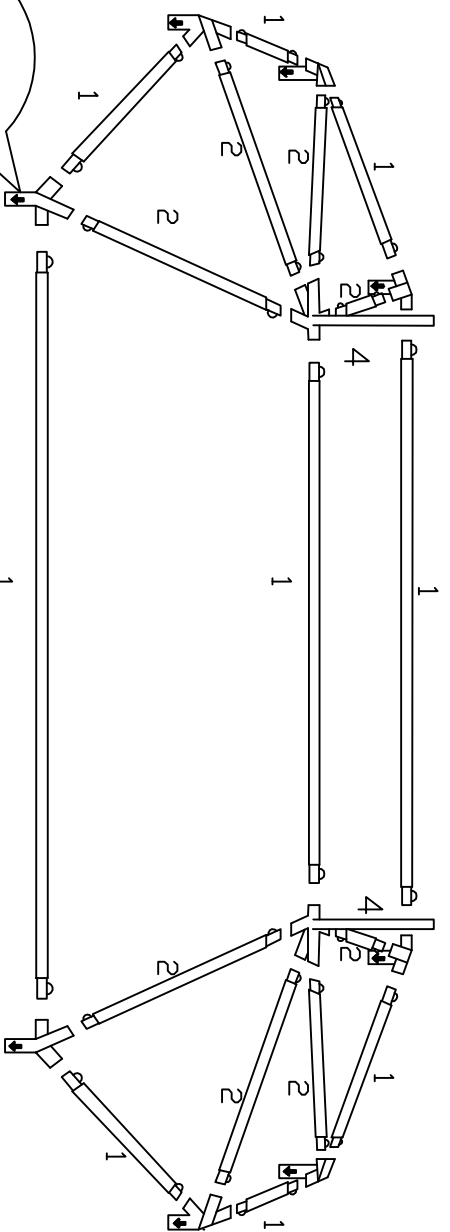
Step.3



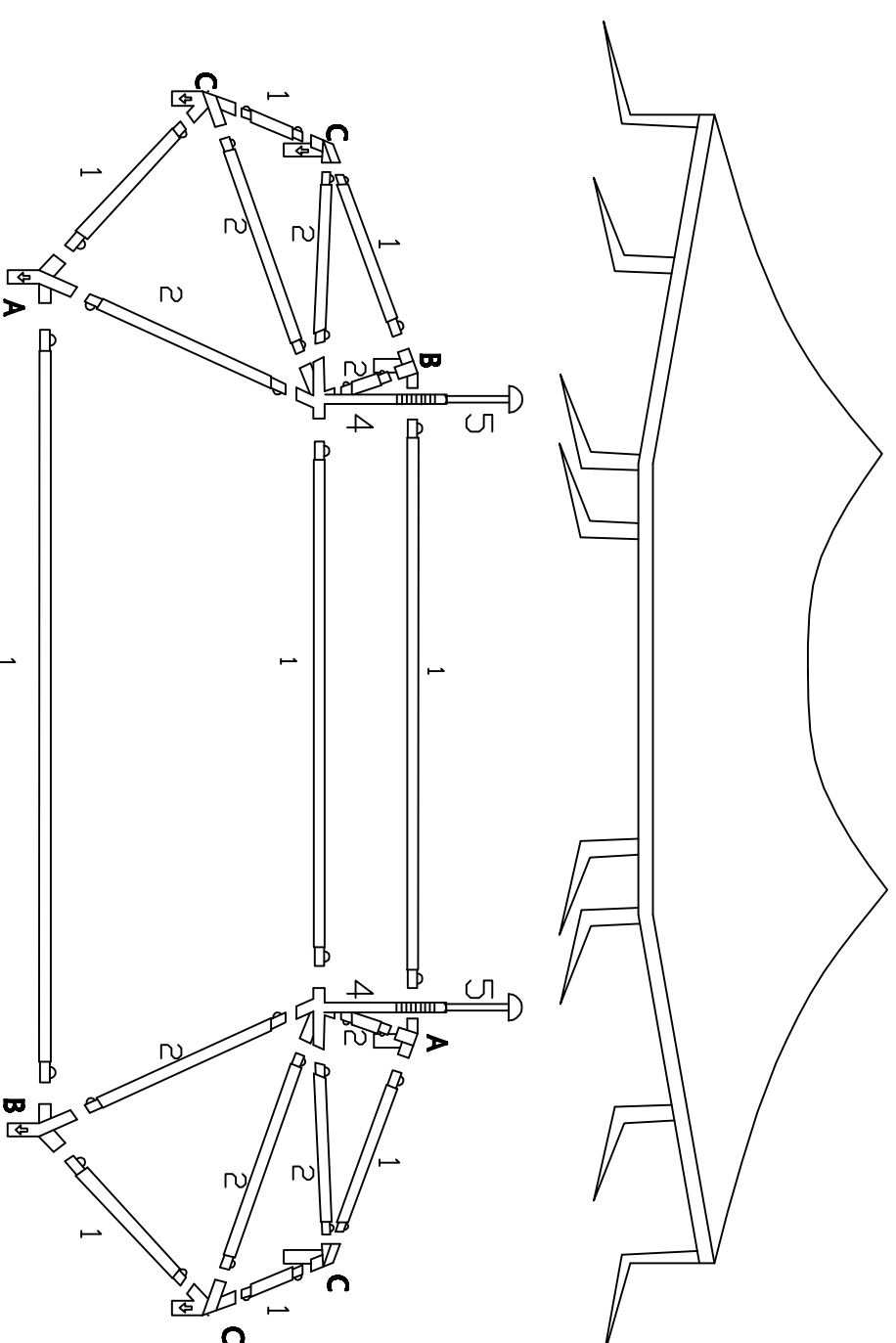
Step.1



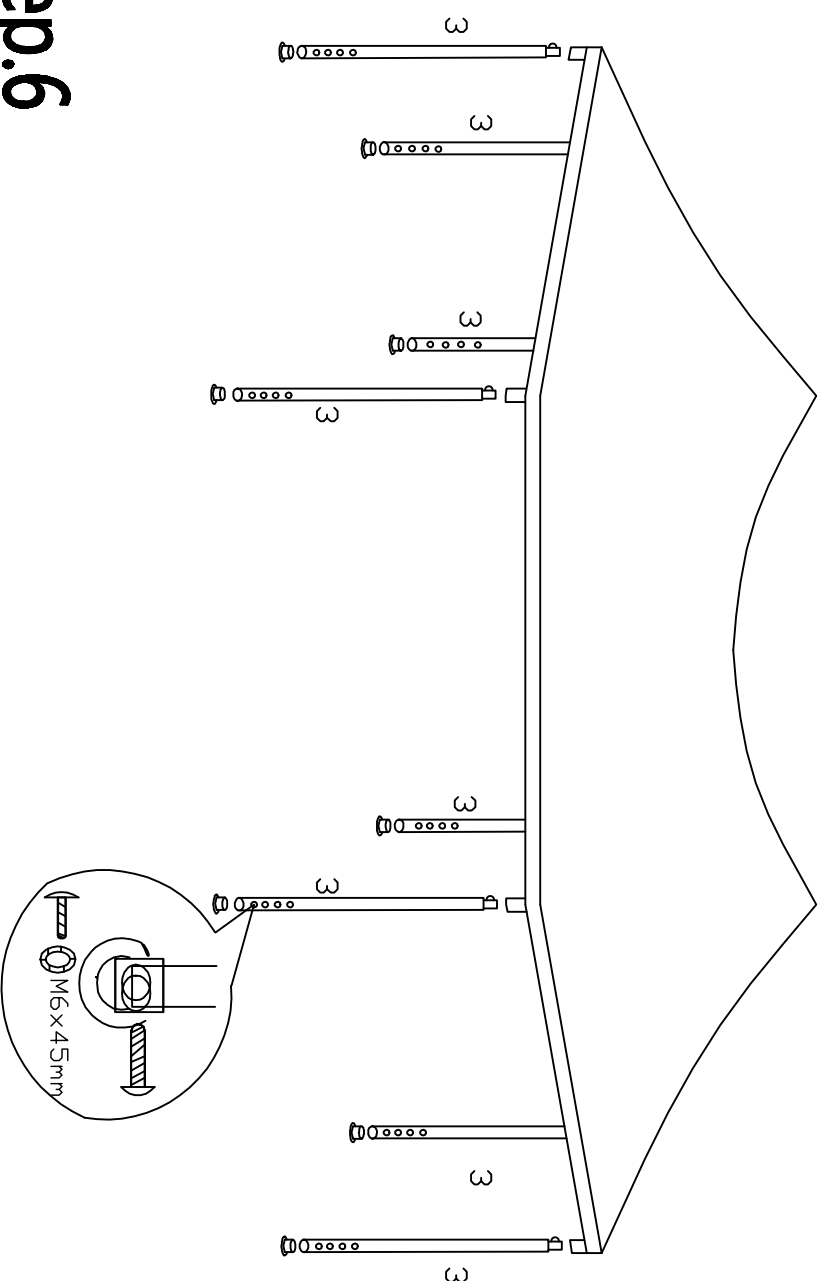
Step.2



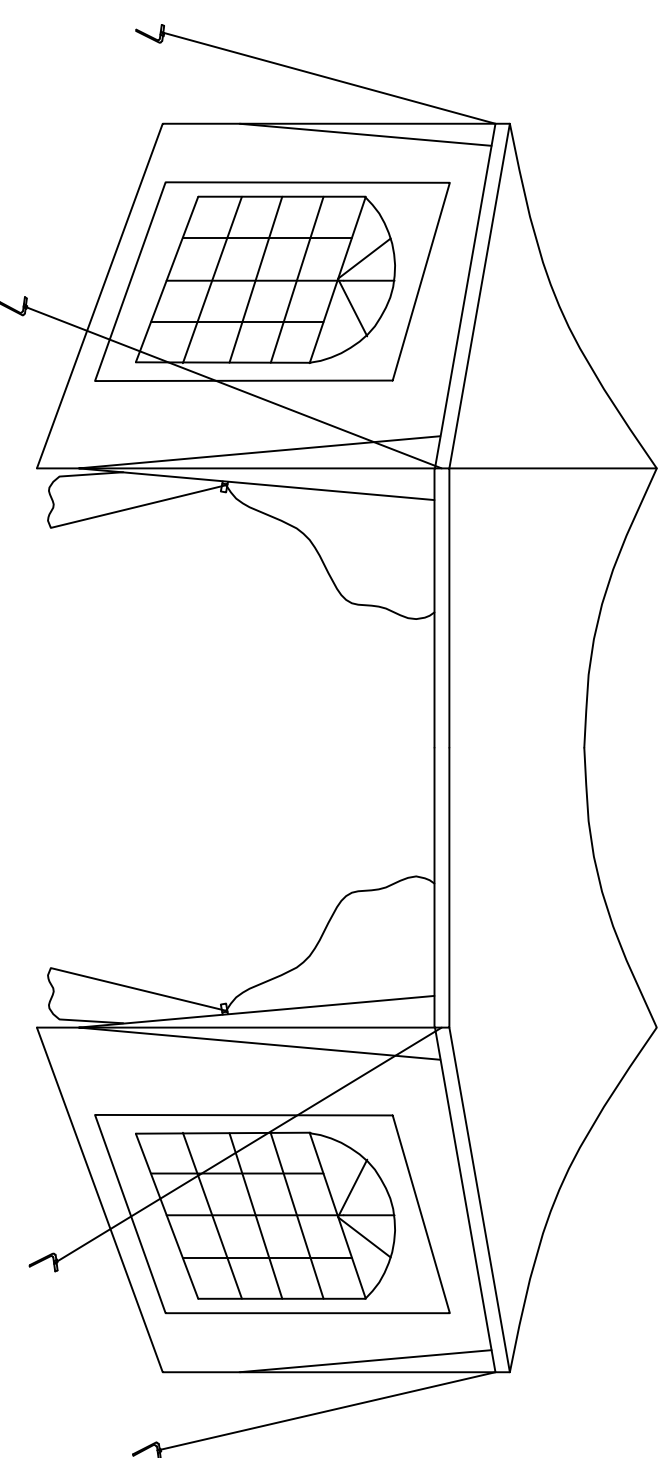
Step.4



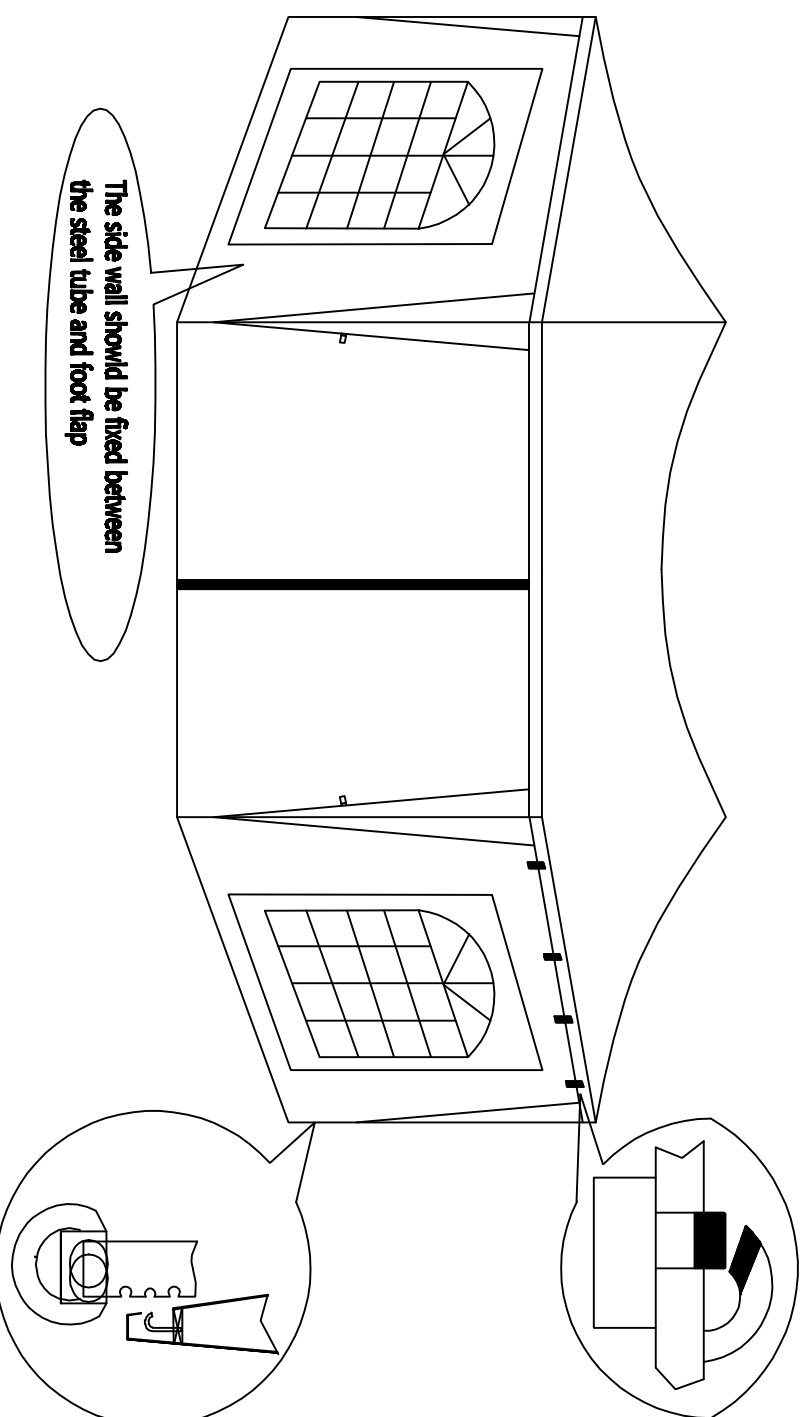
Step.5



Step.7



Step.6



WARNING INSTRUCTION

- 1) TAKE THE CANOPY OUT OF THE BOX CAREFULLY AND PLACE ON DRY SURFACE (SAND, GRASS, OR HARD SURFACE).
- 2) PLEASE HAVE AT LEAST 4 PEOPLE HELPING WITH THE ASSEMBLY, IN ORDER TO AVOID THE DAMAGE OF STEEL POLE.
- 3) SECURE TENT IN WINDY CONDITIONS BY USING THE ROPE THAT IS LOCATED ON EACH SIDE OF THE CANOPY AND HAMMERING STAKES INTO THE GROUND AT A 30 DEGREE ANGLE TO BALANCE THE SIDES OF TENT. IF THE CANOPY IS PLACED ON A HARD SURFACE, SECURE THE 4 SIDES WITH BRICKS OR SAND BAGS TO WEIGH THE CANOPY DOWN.
- 4) DO NOT ASSEMBLE TENTS IN RAIN, SEVERE WIND OR SNOWY WEATHER CONDITIONS, BECAUSE THIS WILL DAMAGE YOUR TENT. IT IS THE OWNER'S RESPONSIBILITY IF THE TENTS ARE SET-UP AND DAMAGED DURING THESE CONDITIONS.
- 5) STORE YOUR CANOPY/TENT IN A COOL DRY PLACE WHEN NOT IN USE.